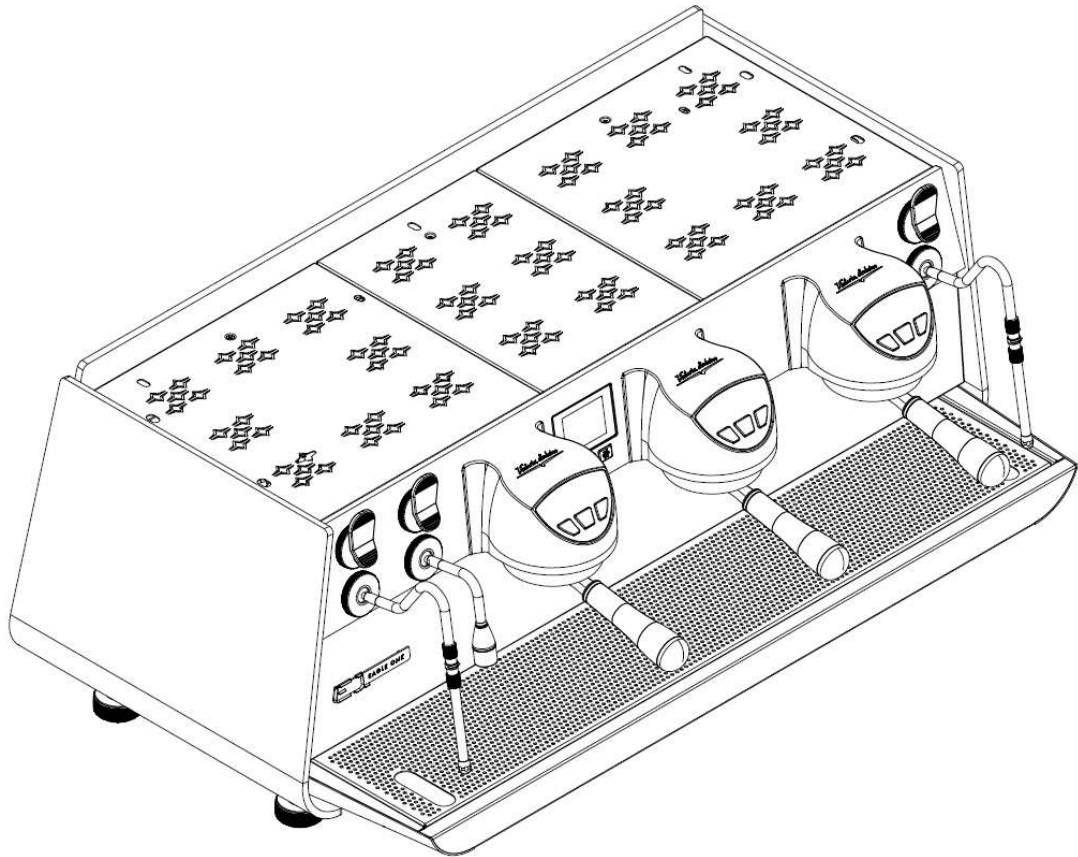


# SPARE PARTS BOOK



16/03/2021

---

*Victoria Arduino*

INSPIRED BY YOUR PASSION.



INSPIRED BY YOUR PASSION.

T.01	<b>CABINET PARTS</b> COMPONENTI GRUPPO CARENA
T.02	<b>CONTROL PANEL DISPLAY</b> INVOLUCRO COMANDI DISPLAY
T.03	<b>POURING GROUP PARTS</b> COMPONENTI GRUPPO EROGAZIONE
T.04	<b>HYDRAULIC COMPONENTS</b> COMPONENTI IDRAULICI
T.05	<b>STEAM &amp; HOT WATER PARTS</b> COMP.VAPORE E ACQUA CALDA
T.06	<b>EASYCREAM PARTS</b> COMPONENTI EASYCREAM
T.07	<b>HYDRAULIC GROUP PARTS</b> COMPONENTI GRUPPO IDRAULICO
T.08	<b>BOILER PARTS</b> COMPONENTI CALDAIA
T.09	<b>FRAME PARTS</b> COMPONENTI TELAIO
T.10	<b>ELECTRONIC PARTS</b> COMPONENTI ELETTRONICI
T.11	<b>ELECTRIC PARTS</b> COMPONENTI ELETTRICI

» LEGEND :

THE CODES WRITTEN IN BOLD REFER TO THE COMPONENTS  
EMPLOYED CURRENTLY.

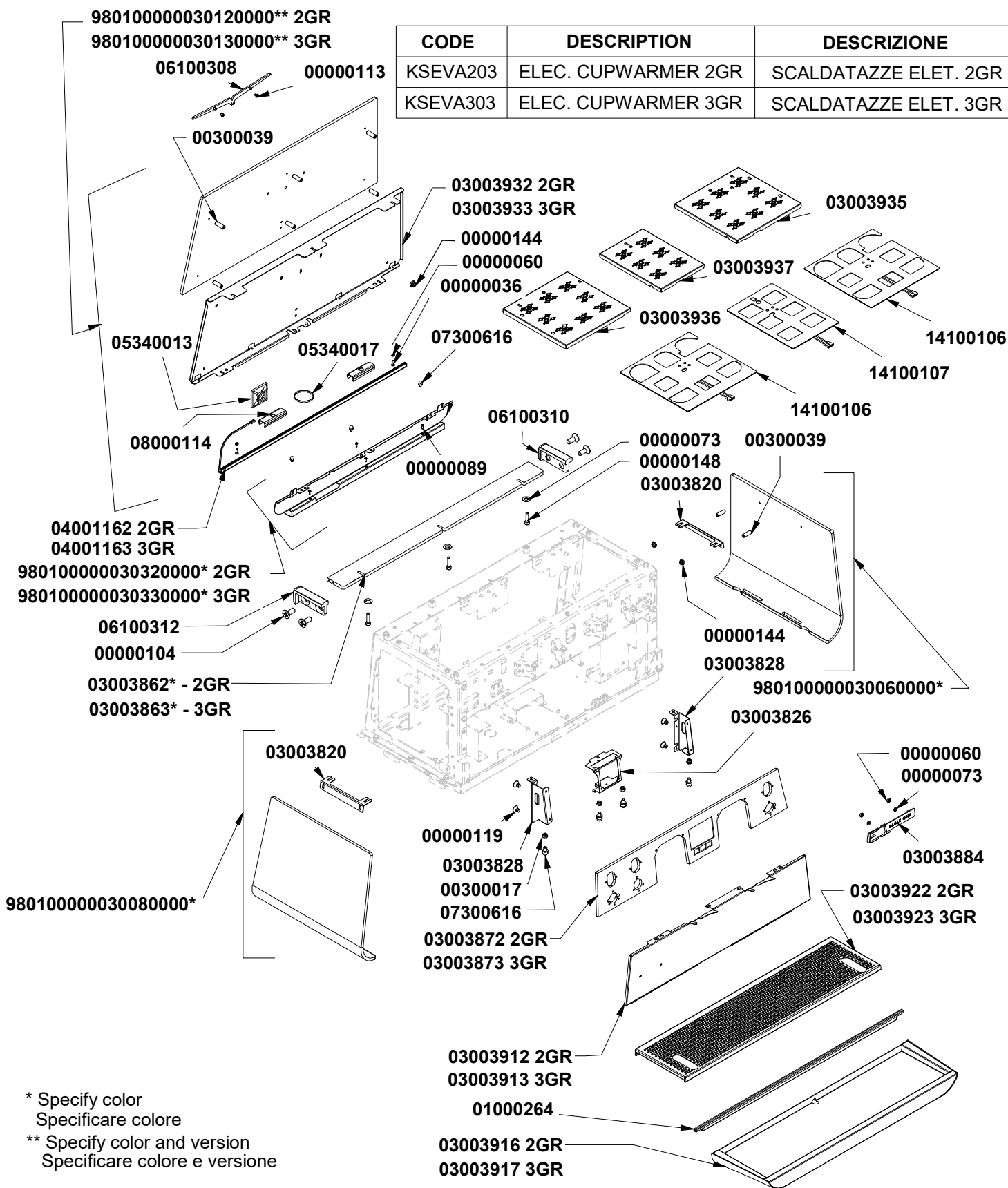
THE CODES USED BEFORE ARE WRITTEN IN CURSIVE WITH INDICATED,  
ON THE SIDE, THE END OF VALIDITY DATE.

EXAMPLE:

*03001531* - 01/09/2007

**03001531**

CODE	DESCRIPTION	DESCRIZIONE
KSEVA203	ELEC. CUPWARMER 2GR	SCALDATAZZE ELET. 2GR
KSEVA303	ELEC. CUPWARMER 3GR	SCALDATAZZE ELET. 3GR

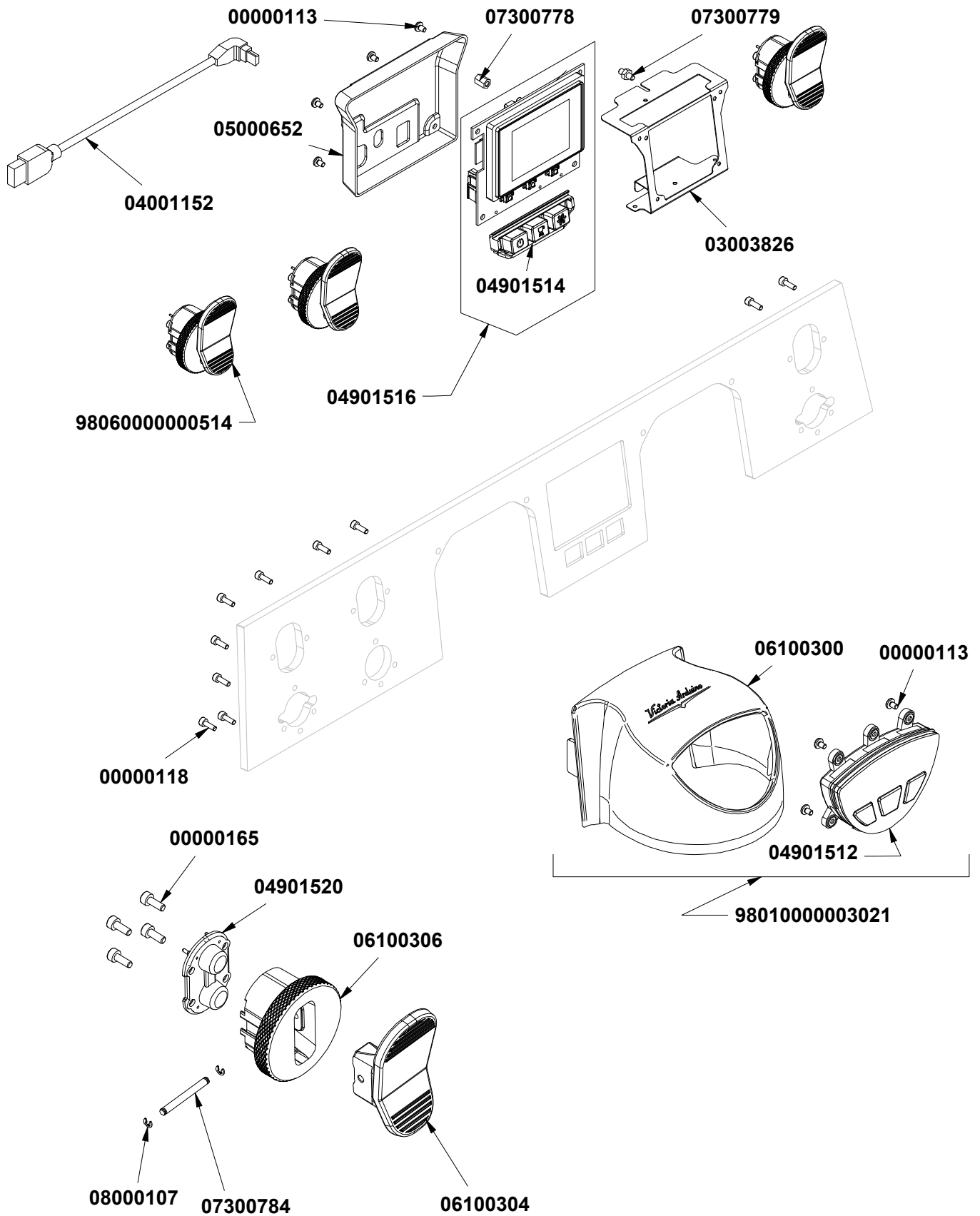


\* Specify color  
Specificare colore

\*\* Specify color and version  
Specificare colore e versione

COD.	DESCRIPTION	DESCRIZIONE	VAL.
00000036	GALV CROSS HEAD COUNTERSUNK SCREW M3x10	VITE AQ M3X10 T SVP T.CR.ZINC	
00000060	GALV MEDIUM NUT AQ M3	DADO AQ M3 MEDIO ZINCATO	
00000073	S/S WASHER D.8x4x1 UNI6592	RONDELLA INOX 8X4X1 UNI6592	
00000089	S/S CROSSHEAD CAP SCREW M4x12 DIN7985	VITE INOX M4X12 TC TCR DIN7985	
00000104	S/S CROSSHEAD COUNTERSUNK SCREW M4x10 DIN965	VITE INOX M4X10 TSP TCR DIN965	
00000119	SS CROSS HEAD COUNTERSUNK SCREW M4x6 ISO 7046	VITE INOX M4X6 TSPTCR ISO 7046	
00000144	GALV FLANGED NUT M5 UNI 6923	DADO AQ M5 FLANGIATO ZINC. UNI6923	
00000148	S/S HEXAGON SOCKET HEAD SCREW M4x16 UNI 5931	VITE INOX M4X16 TCEI UNI 5931	
00300017	S/S SELF-LOCKING NUT M4 LOW DIN 982	DADO AUTOBLOC INOX M4 BASSO DIN985	
00300039	S/S FH GRUB SCREW M5x15	GRANO INOX M5X15 PUNTA PIANA	
01000264	WIRED GASKET FOR PLATE	GUARNIZIONE TRAFILATO ARMATO PER PIATTO	
00000113	S/S CROS SHEAD CAP SCREW M4x6 7985	VITE INOX M4X6 TC T.CR. 7985	
03003820	SIUPERIOR SHEET SIDE SUPPORT	LAMIERA SUP. SUPPORTO FIANCO CARENA	
03003826	SUPPORT PANEL COMMAND DISPLAY	SUPPORTO PANNELLO COMANDI DISPLAY	
03003828	SUPPORT PANEL DISPLAY	SUPPORTO PANNELLO COMANDI EAGLE ONE	
03003862	BACK INF PROFILE 2GR SHINY ALLUMINUM	PROFILO RETRO INFERIORE 2GR ALLUMINIO LUCIDO	
03003863	BACK INF PROFILE 3GR SHINY ALLUMINUM	PROFILO RETRO INFERIORE 3GR ALLUMINIO LUCIDO	
03003872	FRONT PLATE 2GR CHROMED ALLUMINUM	PARETE FRONTALE 2GR ALLUMINIO CROMATO	
03003873	FRONT PLATE 3GR CHROMED ALLUMINUM	PARETE FRONTALE 3GR ALLUMINIO CROMATO	
03003884	FRONTSIDE LOGO EAGLE ONE	LOGO FRONTALE EAGLE ONE	
03003912	INF FRONT PLATE 2GR EAGLE ONE	PARETE FRONTALE INF. 2GR EAGLE ONE	
03003913	INF FRONT PLATE 3GR EAGLE ONE	PARETE FRONTALE INF. 3GR EAGLE ONE	
03003916	WATER COLLECTION PAN 2GR	PIATTO RACCOGLIACQUA 2GR EAGLE ONE	
03003917	WATER COLLECTION PAN 3GR	PIATTO RACCOGLIACQUA 3GR EAGLE ONE	
03003922	MESH WORKTOP 2GR EAGLE ONE	RETINA PIANO LAVORO 2GR. EAGLE ONE	
03003923	MESH WORKTOP 3GR EAGLE ONE	RETINA PIANO LAVORO 3GR. EAGLE ONE	
03003932	SUP BACK PANEL SUPPORT 2GR	SUPPORTO CARENA RETRO SUPERIORE 2GR	
03003933	SUP BACK PANEL SUPPORT 3GR	SUPPORTO CARENA RETRO SUPERIORE 3GR	
03003935	SUP RIGHT CUPHOLDER EAGLE ONE	PORTATAZZE SUPER. DX EAGLE ONE	
03003936	SUP LEFT CUPHOLDER EAGLE ONE	PORTATAZZE SUPER. SX EAGLE ONE	
03003937	SUP CENTRAL CUPHOLDER EAGLE ONE	PORTATAZZE SUPER. CENTR. EAGLE ONE	
04001162	LED STRIP 2GR EAGLE ONE	STRIP LED EAGLE ONE 2GR.	
04001163	LED STRIP 3GR EAGLE ONE	STRIP LED EAGLE ONE 3GR.	
05340013	SMALL BASE 19X19 FOR BAND WITH SCREW HOLE M4	BASETTA 19X19 PER FASCETTA CON FORO PER VITE M4	
05340017	BLACK WIRE CLAMP 135x2.6	FASCET. SERRAFILI 135X2,6 NERO	
06100308	BACKSIDE EAGLE LOGO EAGLE ONE SHINY ALLUMINUM	LOGO AQUILA POSTERIORE EAGLE ONE ALLUMINIO LUCI	
06100310	RIGHT TERMINAL INF. BACKSIDE PROFILE	TERMINALE DX PROFILO RETRO INF.	
06100312	LEFT TERMINAL INF. BACKSIDE PROFILE	TERMINALE SX PROFILO RETRO INF.	
07300616	MICROBAR FRAME PIN M4	PERNO CARENA M4 MICROBAR	
08000114	SPRING REAR LED FIXING	MOLLA FISSAGGIO LED POSTERIORE	
14100106	LATERAL SIL. HEATING ELEMENT 200W	RESISTENZA LATER. SCALDATAZZE 200W	
14100107	CENTRAL SIL. HEATING ELEMENT 100W	RESISTENZA CENTR. SCALDATAZZE 100W	
980100000030060001	RIGHT SIDE PANEL SET STEELUX	ASS. FIANCO DX STEELUX	
980100000030060002	RIGHT SIDE PANEL SET MATT BLACK	ASS. FIANCO DX NERO OPACO	
980100000030060003	RIGHT SIDE PANEL SET WHITE	ASS. FIANCO DX BIANCO	
980100000030080001	LEFT SIDE PANEL SET STEELUX	ASS. FIANCO SX STEELUX	

COD.	DESCRIPTION	DESCRIZIONE	VAL.
980100000030080002	LEFT SIDE PANEL SET MATT BLACK	ASS. FIANCO SX NERO OPACO	
980100000030080003	LEFT SIDE PANEL SET WHITE	ASS. FIANCO SX BIANCO	
980100000030120001	REAR FRAME SET 2GR STEELUX	ASS. CARENA RETRO 2GR. STEELUX	
980100000030120002	REAR FRAME SET 2GR STEELUX LIGHTS	ASS. CARENA RETRO 2GR. STEELUX LUCI	
980100000030120003	REAR FRAME SET 2GR BLACK	ASS. CARENA RETRO 2GR. NERO	
980100000030120004	REAR FRAME SET 2GR BLACK LIGHTS	ASS. CARENA RETRO 2GR. NERO LUCI	
980100000030120005	REAR FRAME SET 2GR WHITE	ASS. CARENA RETRO 2GR. BIANCO	
980100000030120006	REAR FRAME SET 2GR WHITE LIGHTS	ASS. CARENA RETRO 2GR. BIANCO LUCI	
980100000030130001	REAR FRAME SET 3GR STEELUX	ASS. CARENA RETRO 3GR. STEELUX	
980100000030130002	REAR FRAME SET 3GR STEELUX LIGHTS	ASS. CARENA RETRO 3GR. STEELUX LUCI	
980100000030130003	REAR FRAME SET 3GR BLACK	ASS. CARENA RETRO 3GR. NERO	
980100000030130004	REAR FRAME SET 3GR BLACK LIGHTS	ASS. CARENA RETRO 3GR. NERO LUCI	
980100000030130005	REAR FRAME SET 3GR WHITE	ASS. CARENA RETRO 3GR. BIANCO	
980100000030130006	REAR FRAME SET 3GR WHITE LIGHTS	ASS. CARENA RETRO 3GR. BIANCO LUCI	
980100000030320001	INFERIOR RETRO FRAME SET 2GR STEELUX	ASSIEME CARENA RETRO INF. 2GR. STEELUX	
980100000030320002	INFERIOR RETRO FRAME SET 2GR MATT BLACK	ASSIEME CARENA RETRO INF. 2GR. NERO OPACO	
980100000030330001	INFERIOR BACK PANEL SET 3GR STEELUX	ASSIEME CARENA RETRO INF. 3GR. STEELUX	
980100000030330002	INFERIOR BACK PANEL SET 3GR MATT BLACK	ASSIEME CARENA RETRO INF. 3GR. NERO OPACO	
KSEVA203	ELECTRICAL CUPWARMER EAGLE ONE 2GR	SCALDATAZZE ELETTRICO EAGLE ONE 2GR.	
KSEVA303	ELECTRICAL CUPWARMER EAGLE ONE 3GR	SCALDATAZZE ELETTRICO EAGLE ONE 3GR.	





2-3 GR.

2-3 GR.

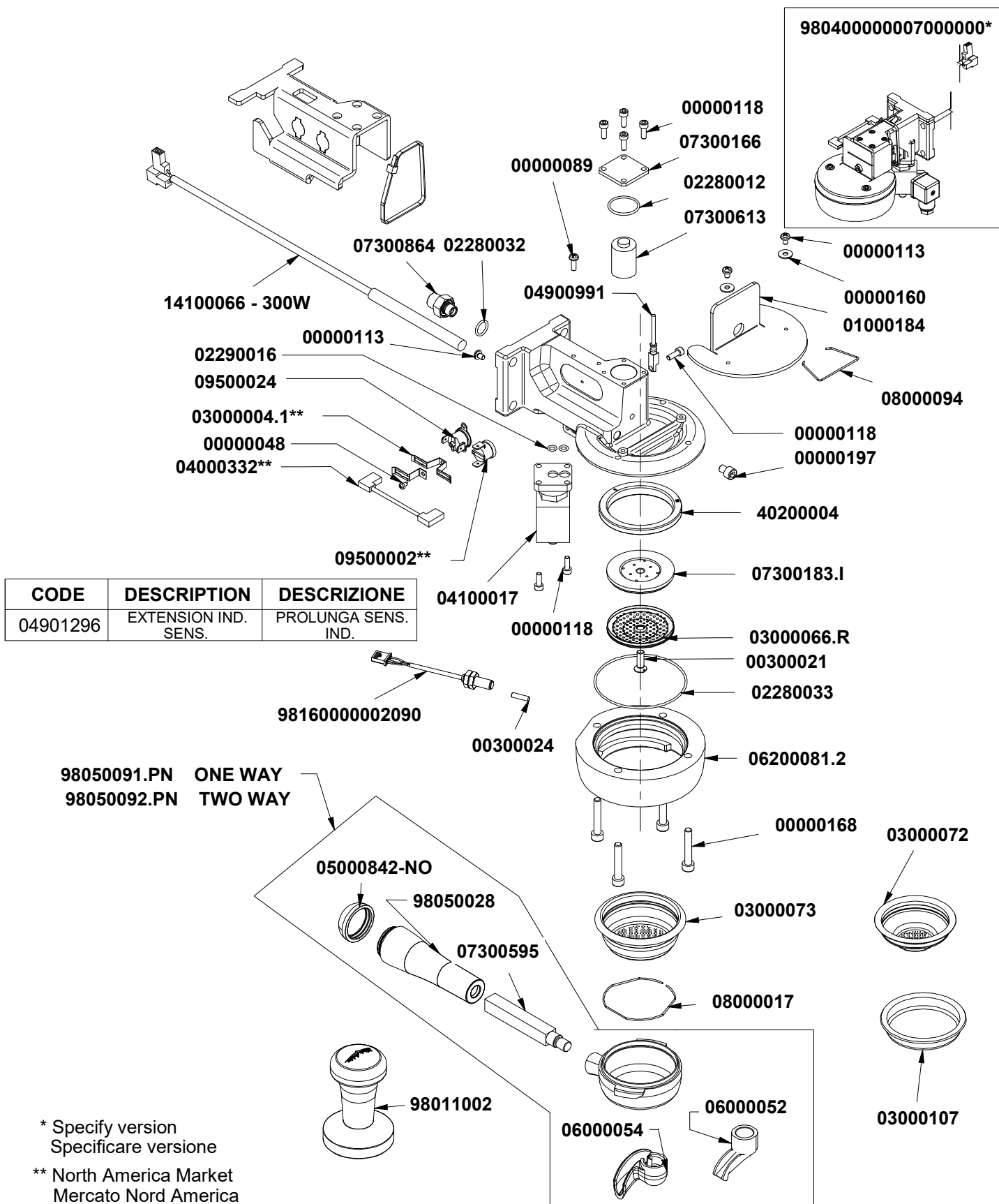
INVOLUCRO COMANDI DISPLAY

CONTROL PANEL DISPLAY

COD.	DESCRIPTION	DESCRIZIONE	VAL.
00000113	S/S CROS SHEAD CAP SCREW M4x6 7985	VITE INOX M4X6 TC T.CR. 7985	
00000118	S/SHX SOCKET CAP SCREW M4x12 5931	VITE INOX M4X12 TCEI 5931	
00000165	S/S SCREW M3x8 TCEI ISO 4762	VITE INOX M3X8 TCEI ISO 4762	
03003826	SUPPORT PANEL COMMAND DISPLAY	SUPPORTO PANNELLO COMANDI DISPLAY	
04001152	FEMALE USB BOARD CABLE DISPLAY TFT EAGLE ONE	CAVO SCHEDA USB (FEMMINA) DISPLAY TFT EAGLE ONE	
04901512	3KEY DISPENSING BOARD	SCHEDA EROGAZ. 3 TASTI EAGLE ONE	
04901514	SILICONE SERVICE KEYPAD EAGLE ONE	TASTI SILICONE SERVIZI EAGLE ONE	
04901516	3KEY SERVICE KEYPAD WITH DISPLAY EAGLE ONE	SCHEDA SERVIZI 3 TASTI CON DISPLAY EAGLE ONE	
04901520	ELECTR CNTRL BOARD W/ STEAM LEVER MAT	SCHEDA ELETTR. CON TAPPETINO LEVA VAPORE	
R04901520	KIT-ELECTR CNTRL BOARD W/ STEAM LEVER MAT - 1Pcs	KIT-SCHEDA ELETTR. CON TAPPETINO LEVA VAPORE- 1F	
05000652	CLOSING DISPLAY SHEET	CHIUSURA SCHEDA DISPLAY	
06100300	GROUP COVER EAGLE ONE CHROME	COPRIGRUPPO CROMATO EAGLE ONE	
06100304	STEAM LEVER EAGLE ONE	LEVA VAPORE EAGLE ONE	
06100306	LEVER SUPPORT EAGLE ONE	SUPPORTO LEVA VAPORE EAGLE ONE	
07300778	CENTRAL LOCK PIN F-F M4 L10 SS	PERNO BLOCC. CENTR. F-F M4 L10 INOX	
07300779	CENTRAL SUPPORT PIN. M4 M-M SS	PERNO SUPPORTO CENTRAL. M4 M-M INOX	
07300784	STEAM LEVER LOCK PIVOT EAGLE ONE	PERNO BLOCCO LEVA VAPORE EAGLE ONE	
08000107	LOCKING SPRING FOR STEAM TAP EAGLE ONE	SEGER BLOCCO LEVA VAPORE EAGLE ONE	
98010000003021	ASSEMBLY COVER + DISPENSING CARD 3 KEYS	ASSIEME COPRIGRUPPO + SCHEDA EROGAZ. 3 TASTI	
98060000000514	STEAM KNOB ASSEMBLY	ASSIEME MANOPOLA VAPORE	



INSPIRED BY YOUR PASSION.



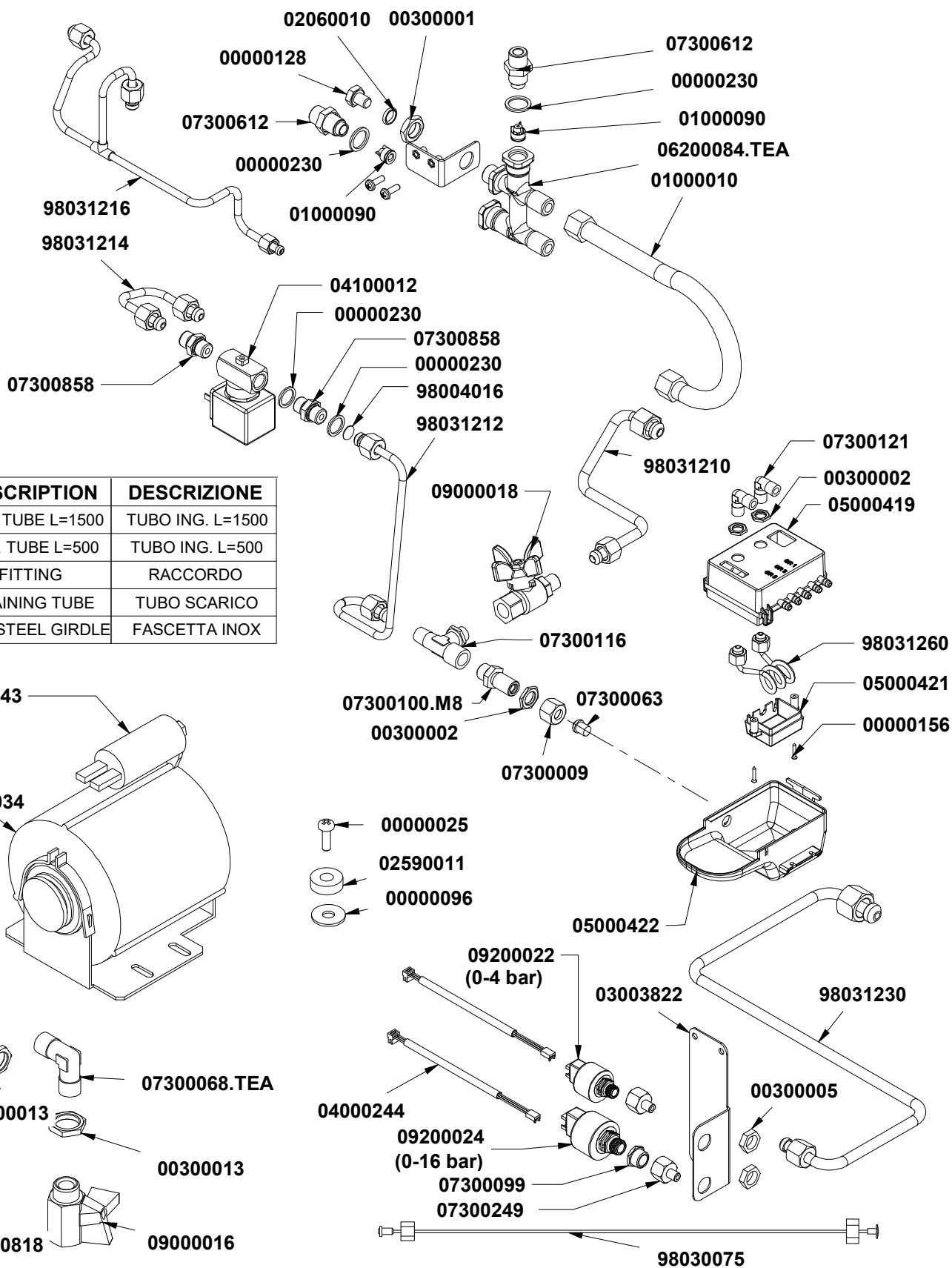
\* Specify version  
Specificare versione

\*\* North America Market  
Mercato Nord America



COD.	DESCRIPTION	DESCRIZIONE	VAL.
00000048	SELF-TAPPING SCREW 2.9x4.5 TC/T.CR.	VITE AUTOF 2,9X4,5 TC/T.CR.	
00000089	S/S CROSSHEAD CAP SCREW M4x12 DIN7985	VITE INOX M4X12 TC TCR DIN7985	
00000113	S/S CROS SHEAD CAP SCREW M4x6 7985	VITE INOX M4X6 TC T.CR. 7985	
00000118	S/SHEX SOCKET CAP SCREW M4x12 5931	VITE INOX M4X12 TCEI 5931	
00000160	S/S WASHER D4X12 UNI 6593	RONDELLA INOX D4X12X1 UNI 6593	
00000168	S/S HEXAGON SOCKET HEAD SCREW M6x35 UNI 5931	VITE INOX M6X35 TCEI 5931	
00000197	S/S HEX SOCKET CAP SCREW M6x8 ISO 4762	VITE INOX M6X8 TCEI ISO 4762	
00300021	S/S SLT COUNTERSUNK SCREW M6X18 DIN963	VITE INOX M6X18 TSP TC DIN963	
R00300021	KIT-S/S SLT COUNTERSUNK SCREW M6X18 - 30Pcs	KIT-VITE INOX M6x18 - 30Pz	
00300024	S/S GRUB SCREW M4X16 5923	GRANO INOX M4X16 5923	
01000184	ADONIS GROUP INSULATOR	ISOLANTE GRUPPO EROGAZIONE ADONIS	
02280012	GASKET O RING 2093 D.27 EP851	GUARN. OR 2093 D.27 VITON DF 801	
R02280012	KIT-GASKET O RING 2093 D.27 EP - 30Pcs	KIT-GUARN. OR D.27 VITON DF - 30Pz	
02280032	GASKET O RING 114 D15 EP 851	GUARN. OR 114 D.15 EP 851	
R02280032	KIT-GASKET O RING 114 D15 EP - 25Pcs	KIT-GUARN. OR 114 D.15 EP - 25Pz	
02280033	GASKET O RING 75,92x1,78 NBR XP70	GUARN. OR 75,92X1,78 NBR XP70 2300	
R02280033	KIT-GASKET O RING 75,92x1,78 NBR - 20Pcs	KIT-GUARN. OR 75,92x1,78 NBR - 20Pz	
02290016	GASKET O RING D9,5 R5 SIL RED	GUARN. OR D 9,5 R5 SILICONE R.	
R02290016	KIT-GASKET O RING D9,5 SIL RED - 30Pcs	KIT-GUARN. OR D 9,5 SILICONE R. - 30Pz	
03000004.1	DOUBLE BRACKET FOR THERMOSTAT	STAFFA DOPPIA X TERMOSTATO	
03000066.R	S/S SHOWER REINFORCED	DOCCIA INOX RINFORZATA AISI304	
R03000066.R	KIT-S/S SHOWER REINFORCED - 4Pcs	KIT-DOCCIA INOX RINFORZATA Aisi304 - 4Pz	
03000072	FILTER ONE COFFEE HIGH 7gr	FILTRO 1 CAFFE' ALTO 7GR.	
R03000072	KIT-FILTER ONE COFFEE HIGH 7gr - 3Pcs	KIT-FILTRO 1 CAFFE' ALTO 7gr. - 3Pz	
03000073	FILTER TWO COFFEE HIGH 14gr	FILTRO 2 CAFFE' ALTO 14GR.	
R03000073	KIT-FILTER TWO COFFEE HIGH 14gr - 3Pcs	KIT-FILTRO 2 CAFFE' ALTO 14gr. - 3Pz	
03000107	BLIND FILTER	FILTRO CIECO	
R03000107	KIT-BLIND FILTER - 8Pcs	KIT-FILTRO CIECO - 8Pz	
04000332	EXT L=85 + FASTON F-F A FLAG AWG18	CAVALLOTTO L=85 + FASTON F-F A BANDIERA	
04100017	3WAY SOLENOID DIS BASE 1/8 220-230V 50/60Hz CE	E.V. NC 3VIE BASETTA SCAR. 1/8 220-230V 50/60HZ CE	
R04100017	KIT-3WAY SOLENOID DIS BASE 1/8220-230V50/60Hzz - 1P	KIT-E.V. NC 3VIE BASETTA SCAR. 1/8220-230V 50/60Hz- 1P	
04900991	GROUP TEMPERATURE PROBE PT1000	SONDA TEMPERATURA PT1000 GR.	
R04900991	KIT-GROUP TEMPERATURE PROBE PT1000 - 1Pcs	KIT-SONDA TEMPERATURA PT1000 - 1Pz	
04901296	EXT CABLE INDUCTIVE SENSOR PORTAFILTER	PROL. SENSORE INDUTT. "PRESENZA PORTAFILTRO"	
05000842	FILTER HOLDER KNOB LOCK 2003	CHIUSURA MANOPOLA PORTAFILTRO 2003 *KBB*	
R05000842	KIT-FILTER HOLDER KNOB LOCK - 20Pcs	KIT-CHIUSURA MANOPOLA PORTAFILTRO - 20Pz	
06000052	S/S NOZZLE 1WAY CURVED OPEN	BECCO INOX UNA VIA CURVO OPEN	
06000054	S/S NOZZLE 2WAY CURVED OPEN	BECCO INOX DUE VIE OPEN	
06200081.2	GR RING OR CHRME OT-58 - P.FILTER SENSOR	ANELLO GRUPPO +SEDE OR CROMATO OT-58	
07300166	FLANGE BLOCK LOCK SOLENOID HOLDER	FLANGIA CHIUSURA BLOCCHETTO PORTA ELETTRIV.	
07300183.1	GROUP DIFFUSER h=3 S/S Aisi316	PADIGLIONE GRUPPO H=3 INOX AISI316	
07300595	PORTAFILTER KNOB INSERT 2003 AVP ZINC.	INSERTO MANOPOLA PORTAFILTRO 2003 AVP ZINC.	
07300613	PRE INFUSION CHAMBER INSERT GROUP	INSERTO CAMERA PRE-INFUSIONE GR.	
R07300613	KIT-PRE INFUSION CHAMBER INSERT GROUP - 3Pcs	KIT-INSERTO CAMERA PRE-INFUSIONE GR. - 3Pz	
07300864	FITTING 1/4M 1/8M + THREADED M6 Aisi316 +	RACCORDO 1/4M 1/8M + FILETT.M6 AISI316 + SEDE OR	
08000017	S/S FILTER LOCKING SPRING	MOLLA BLOCCA FILTRO ACC.INOX	

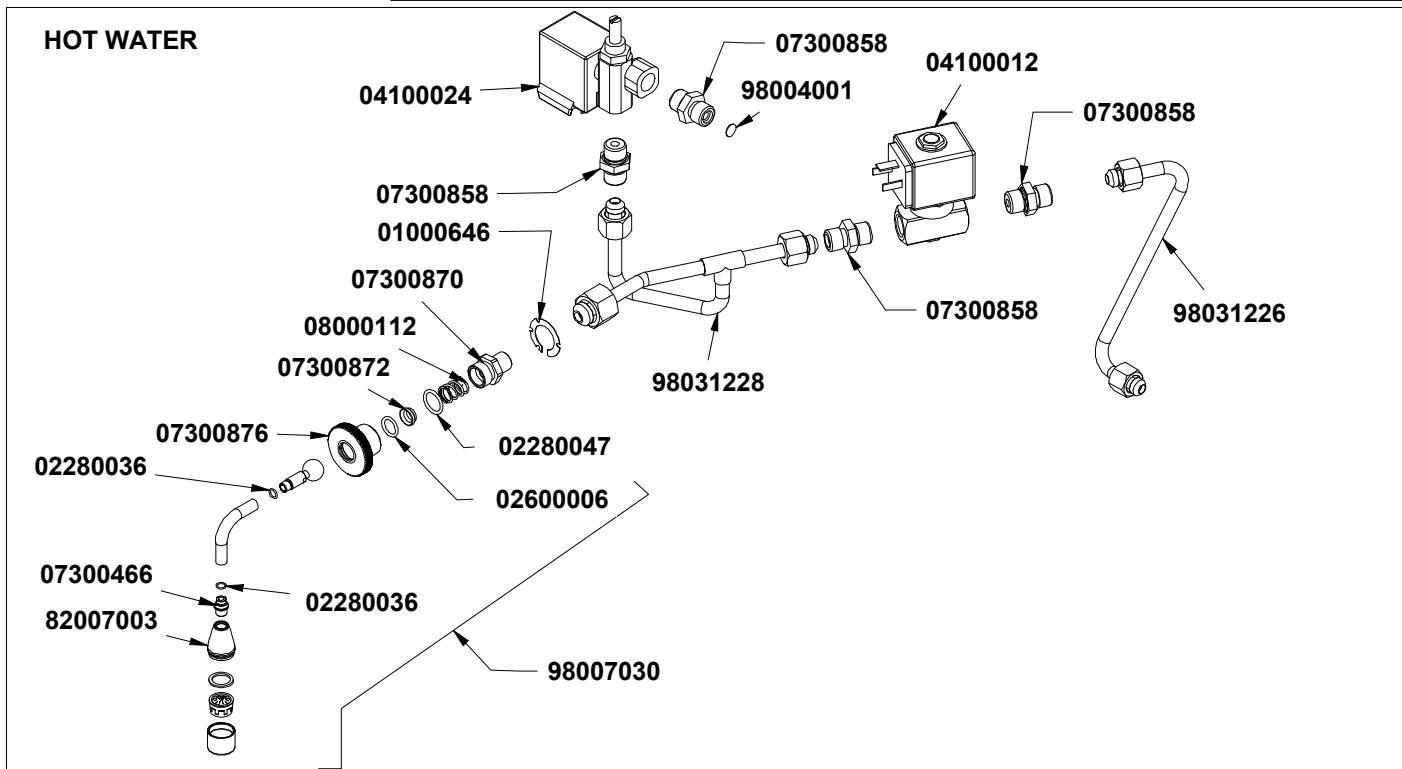
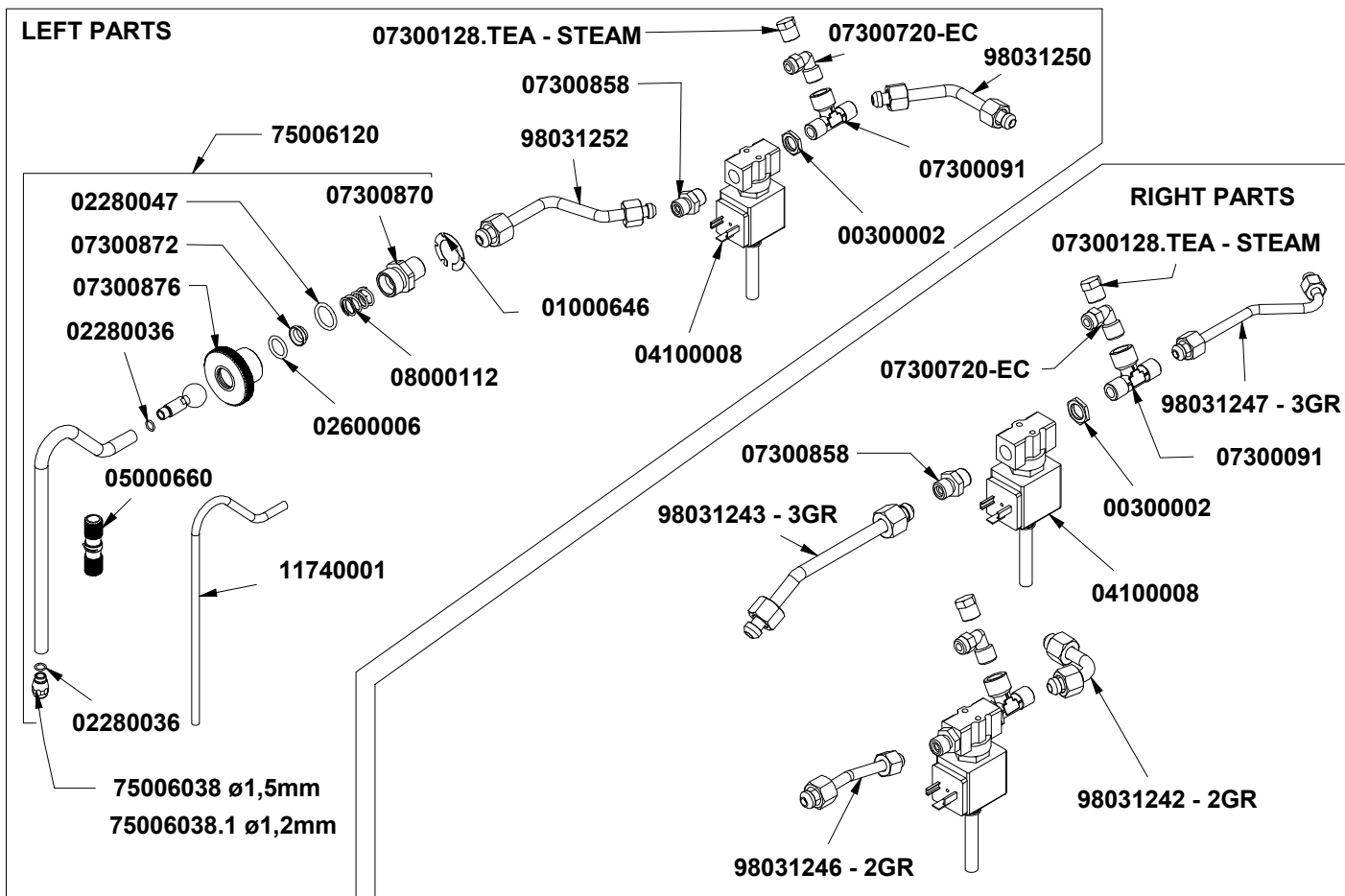
COD.	DESCRIPTION	DESCRIZIONE	VAL.
R08000017	KIT-S/S FILTER LOCKING SPRING - 15Pcs	KIT-MOLLA BLOCCA FILTRO ACC.INOX - 15Pz	
08000094	FAST. SPRING FOR INSULATION - DISP. GROUP	MOLLA FISSAGGIO ISOLANTE GR. EROGAZ.	
09500002	AUTOMATIC THERMOSTAT 125°C WHITE DRIPPING	TERMOSTATO RIARMO AUTO. 125°C	
09500024	MANUAL THERMOSTAT 135°C TRIP FREE GREEN DRIP.	TERMOSTATO R.MAN. 135°C TRIP FREE	
14100066	CARTRIDGE HEAT. ELEMENT D10x115 300W 230V	RESISTENZA A CARTUCCIA D10X115 300W 230V	
R14100066	KIT-CARTRIDGE HEAT. ELEMENT D10x115 300W 230V - 1F	KIT-RESISTENZA A CARTUCCIA D10x115 300W 230V- 1Pz	
40200004	GASKET CONICAL UNDERCOVER 82/84 ShA	GUARNIZ. SOTTOCOPPA CONICA 82/84 SHA	
R40200004	KIT-GASKET CONICAL UNDERCOVER 82/84 ShA - 15Pcs	KIT-GUARNIZ. SOTTOCOPPA CONICA 82/84 ShA - 15Pz	
98011002	ANODISED COFFEE TAMPER BRILLIANT WHITE	PRESSA CAFFE' ANOD.ARGENTO	
980400000007000001	DISPENSING GROUP SET CE	ASS. GR. EROG. CE	
980400000007000002	DISPENSING GROUP SET KC	ASS. GR. EROG. KC	
98050028	BLACK LEATHER PORTAFILTER HANDLE	MANOPOLA PORTAFILTRO IN PELLE NERA	
98050091.PN	1WAY PORTAFILTER IN BLACK LEATHER W/OUT FILTER	PORTAFILTRO INOX 1 VIA IN PELLE NERA S/FILTRO	
98050092.PN	2WAY PORTAFILTER IN BLACK LEATHER W/OUT FILTER	PORTAFILTRO INOX 2 VIE IN PELLE NERA S/FILTRO	
98160000002090	PORTAFILTER PRESENCE SENSOR W/CONNECTORS	SENSORE PRESENZA PORTAFILTRO COMPL. DI CONN.	



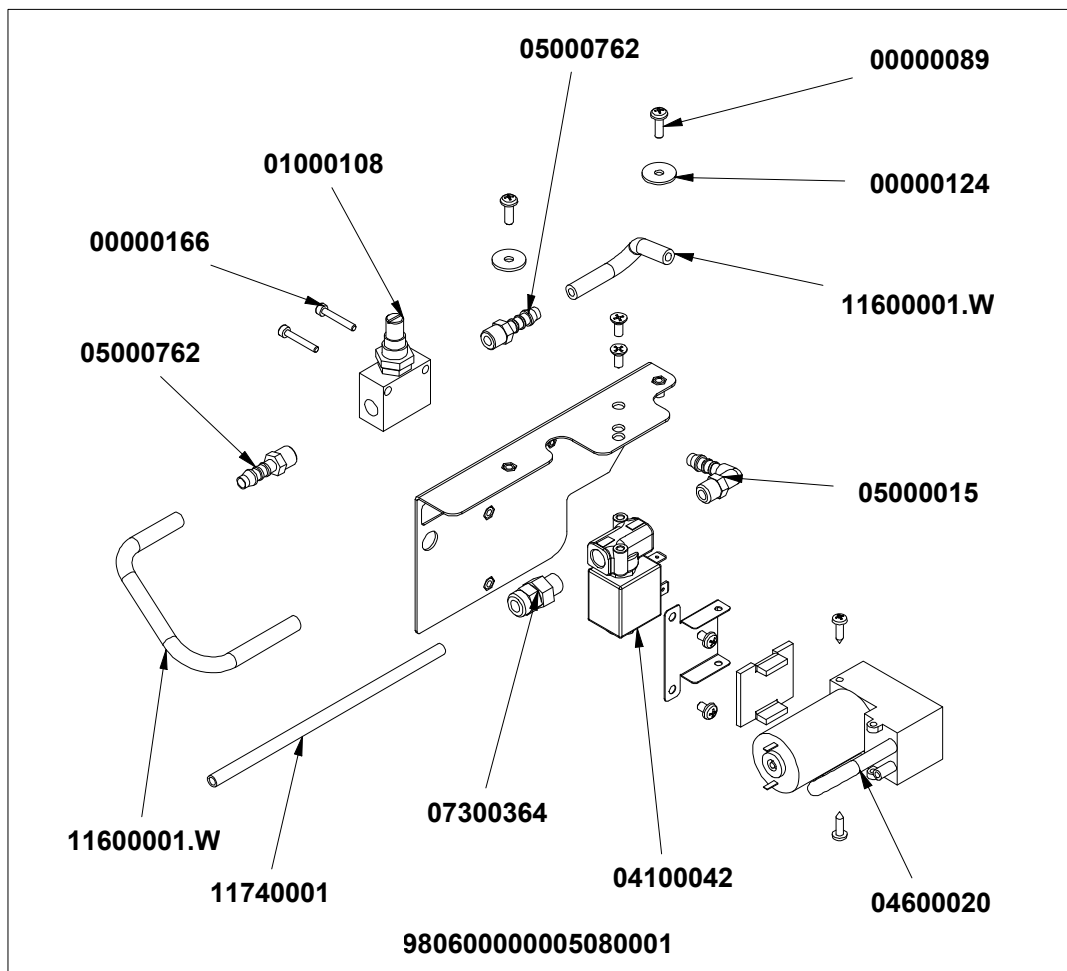
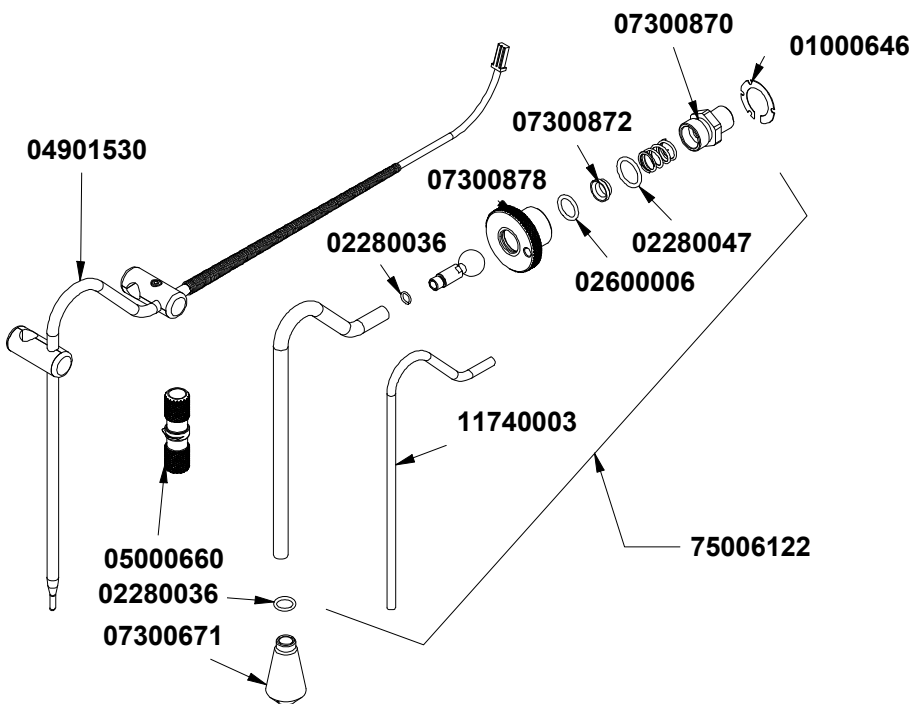
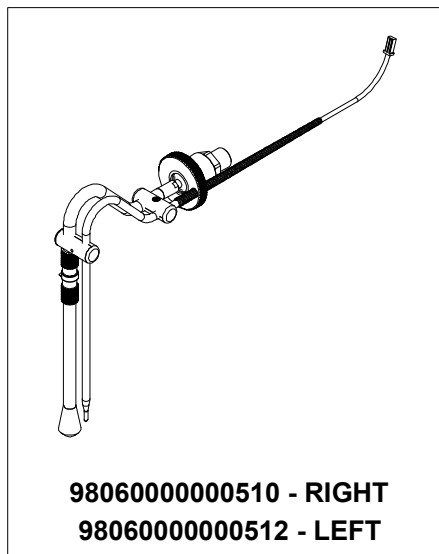
CODE	DESCRIPTION	DESCRIZIONE
01000113	FILL. TUBE L=1500	TUBO ING. L=1500
01000030	FILL. TUBE L=500	TUBO ING. L=500
05000763	FITTING	RACCORDO
01000127	DRAINING TUBE	TUBO SCARICO
00000133	STA. STEEL GIRDLE	FASCETTA INOX

COD.	DESCRIPTION	DESCRIZIONE	VAL.
00000025	GALV CROSS HEAD CAP SCREW AQ M6x20	VITE AQ M6X20 TC T.CR. ZINC	
00000096	GALV AQ WASHER M6 6,6x18x1,5	RONDELLA AQ M6 6,6X18X1.5 ZINC	
00000128	S/S HEX CAP SCREW M8x10 THREADED	VITE INOX M8X10 TE TUTTO FIL.	
00000133	S/S CLIP WD12 16-25 C7 W2	FASCETTA INOX WD12 16-25 C7 W2	
00000156	S/S SELF-THREADING SCREW 2.9x19 TCTCR	VITE AUTOF INOX 2.9X19 TC T.CRDIN7981	
00000230	COPPER WASHER SEAL 14X18X1.5	RONDELLA GUARNIZIONE RAME RICOTTO 14X18X1.5	
00300001	BRASS NUT 1/4 GAS D5 CH18	DADO OT 1/4 GAS SPESS.5 CH18 *AGG. 22.07.96	
00300002	BRASS NUT 1/4 D3 CH18	DADO OT 1/4 SPESS.3 CH18 AGG. 22.07.96	
R00300002	KIT-BRASS NUT 1/4 D3 - 15Pcs	KIT-DADO OT 1/4 SPESS.3 - 15Pz	
00300005	BRASS NUT 1/8 GAS D4 ADD 22.07.96 CH13	DADO OT 1/8 GAS AGG.22.07.96 SPESS.4 CH13	
00300013	BRASS NUT 3/8 GAS D4 CH20 ADD 22.07.96	DADO OT 3/8 GAS SPESS.4 CH20 AGG.22.07.96	
01000010	S/S FLEXIBLE TUBE 1/4 FF L=320	TUBO FLESS.INOX 1/4-F.F. L=320*KBB*	
R01000010	KIT-S/S FLEXIBLE TUBE 1/4 FF L=320 - 1Pcs	KIT-TUBO FLESS.INOX 1/4-F.F. L=320 - 1Pz	
01000030	S/S FLEXIBLE TUBE 3/8 FF L=500	TUBO FLESS INOX 3/8 FF L=500 *KBB*	
01000090	RETAINING VALVE D10	VALVOLINA DI RITEGNO D.10	
R01000090	KIT-RETAINING VALVE D10 - 6Pcs	KIT-VALVOLINA DI RITEGNO D.10 - 6Pz	
01000113	S/S FLEXIBLE TUBE 3/8 90° 3/8 FF L1500	TUBO FLESS INOX 3/8 A 90 F. - 3/8 F. L=1500 *KBB*	
01000127	DIRECT SLEEVE DISCHARGE TUBE D19 L=2m	TUBO SCARICO CON MANICOTTO DIRITTO D.19 L= 2 M	
R01000127	KIT-DIRECT SLEEVE DISCHARGE TUBE D19 L=2m - 2Pcs	KIT-TUBO SCARICO CON MANICOTTO DIRITTO D.19 L= 2 r	
01300016	S/S VOLUMETRIC PUMP 200 Lt/h	POMPANTE VOLUMETRICO 200 LT/H *KBB*	
02060010	COPPER O RING 8.3x13x1.9 ND8	OR RAME 8,3X13XH1,9 DN8	
02590011	PISTON GASKET 14,4X6X4,5 SIL RED SR80	GUARNIZ.PISTONCINO 14,4X6X4,5 SR 80	
03003822	SUPPORT SHAFT PRESSURE TRANSDUCER	STAFFA SUPP. TRASDUTTORI DI PRESSIONE	
04000043	CAPACITOR 10mF x 04500034	CONDENS.10MICROF X 04500034 UL	
R04000043	KIT-CAPACITOR 10mF - 1Pcs	KIT-CONDENSATORE 10microF - 1Pz	
04000244	3POLE CONN CABLE RAST 2.5/MOLEX L = 800mm	CAVO COLL.3P RAST 2,5/MOLEX L.800MM	
04100012	2WAY SOLENOID 1/8-1/8 1/8 240V50/60hz F3 UL TH2xM5	E.V. NC 2VIE 1/4-1/4 220-230V 50/60HZ VITON F1.5 CE	
R04100012	KIT-2WAY SOLENOID 1/8-1/8 1/8 240V50/60hz F3 - 1Pcs	KIT-E.V. NC 2VIE 1/4-1/4 220-230V 50/60HZ VITON- 1Pz	
04500034	ELEC ENGINE 230V 50/60Hz 165W	MOTORE ELETTRICO 230V 50/60HZ165W *KBB*	
05000419	TRAY PLUG UNDER PLATE VA388 T.E.R.S.	TAPPO VASCHETTA SOTTO PIATTO VA388 PER T.E.R.S.	
05000421	INTERNAL CLOSURE TRAY TAP T.E.R.S.	CHIUSURA INTERNA TAPPO VASCHETTA PER T.E.R.S.	
05000422	DRIP TRAY UNDER PLATED VA388	VASCHETTA SOTTO PIATTO VA388	
05000763	CONNECTION 3/4 90°F FOR DRAINING TUBE	RACCORDO ATT. 3/4FX19 90° X TUBO DI SCARICO	
R05000763	KIT-CONNECTION 3/4 90°F FOR DRAINING TUBE - 4Pcs	KIT-RACCORDO ATT. 3/4FX19 90° x TUBO DI SCARICO- 4Pz	
06200084.TEA	5WAY MANIFOLD AURELIA OT-57 USA TEA	CROCIERA 5 VIE "AURELIA" OT-57 USA + TEATURA	
07300009	NUT FITTING 1/4 GAS	DADO RACCORDO 1/4 GAS	
07300063	CLOSED TERMINAL D11	TERMINALE CHIUSO D.11	
07300068.TEA	CYLINDRICAL ELBOW FITTING G3/8" M/M	RACCORDO L 3/8 M-M CILIN. OT-57 + TEATURA	
07300099	FITTING ADAPTER 3/8-1/4 ES. 20 ADD. 29.05.96	RIDUZIONE 3/8-1/4 ES.20 AGG. 29.05.96	
07300100.M8	DISCHARGE ATTACHMENT 1/4 1/4 + INT M8 OT-57 USA	ATTACCO SCAR. 1/4-1/4 + INT M8OT-57 USA	
R07300100.M8	KIT-DISCHARGE ATTACHMENT 1/4 1/4 + INT - 8Pcs	KIT-ATTACCO SCAR. 1/4-1/4 + INT M8 - 8Pz	
07300116	FITTING T 1/4 M-M-F OT-57	RACCORDO T 1/4 M-M-F OT-57	
R07300116	KIT-FITTING T 1/4 M-M-F - 5Pcs	KIT-RACCORDO T 1/4 M-M-F - 5Pz	
07300121	FITTING L 1/4 M-M CYLIND ADD. 18.02.97	RACCORDO L 1/4 M-M CILINDRICOAGG. 18.02.97	
R07300121	KIT-FITTING L 1/4 M-M CYLIND - 8Pcs	KIT-RACCORDO L 1/4 M-M CILINDRICO - 8Pz	
07300249	FITTING 1/8M L = 12 3/8F	RACCORDO 1/8M L=12 3/8F	

COD.	DESCRIPTION	DESCRIZIONE	VAL.
07300612	FITTING 1/4 1/4 GAS WITH ORING + RET. VALVE LOCK	RACCORDO 1/4 1/4 GAS CON OR	
07300818	PUMP REGISTER KNOB AURELIA II NICKEL	POMELLO REGISTRO POMPANTE AURELIA II NIKELATO	
07300858	FITTING 1/4M-1/4M OT-57 USA	RACCORDO 1/4M-1/4M OT-57 USA	
R07300858	KIT-FITTING 1/4M-1/4M - 15Pcs	KIT-RACCORDO 1/4M-1/4M - 15Pz	
09000016	SPHERE TAP - NETWORK CONNECTION 3/8 M-F MINI	RUBINET. SFERA ALLACCIO RETE 3/8 M-F MINI	
R09000016	KIT-SPHERE TAP - NETWORK CONNECTION 3/8 M-F MINI	KIT-RUBINET. SFERA ALLACCIO RETE 3/8 M-F MINI- 2Pz	
09000018	DISPENSING SPHERE TAP 1/4 M-F "BUTTERFLY"	RUBINET. SFERA DISTRIBUTORE 1/4 M-F A FARFALLA	
09200022	PRESSURE TRANSDUCER 0-4 BAR 3/8	TRASDUTTORE DI PRESSIONE 0-4 BAR 3/8	
09200024	PRESSURE TRANSDUCER 0-16 BAR 1/4	TRASDUTTORE DI PRESSIONE 0-16 BAR 1/4	
98004016	S/S FILTER D12	FILTRO INOX DIAM. 12	
R98004016	KIT-S/S FILTER D12 - 25Pcs	KIT-FILTRO INOX DIAM. 12 - 25Pz	
98030075	CAPILLARY TUBE 1/8-1/4 0,9X2X400 GAUGE-PUMP	TUBO CAPILLARE 1/8-1/4 0,9X2X400 MANOM.-POMPA	
R98030075	KIT-CAPILLARY TUBE 1/8-1/4 0,9X2X400 GAUGE-PUMP - 2F	KIT-TUBO CAPILLARE 1/8-1/4 0,9x2x400 MANOM.-POMPA- 2	
98031210	BOILER LOADING TUBE EAGLE ONE	TUBO CARICO CALDAIA EAGLE ONE	
98031212	VALVE LEVEL - TAP TUBE EAGLE ONE	TUBO EV LIVELLO - RUBINETTO EAGLE ONE	
98031214	VALVE LEVEL - MANIFOLD TUBE EAGLE ONE	TUBO EV LIVELLO - CROCIERA EAGLE ONE	
98031216	MANIFOLD TUBE CONN FLOWMETER+VALVE MIXER	TUBO CROCIERA - COLL. DOSATORI+ EV MISC.	
98031230	BOILER TUBE - PRESSURE SENSOR EAGLE ONE	TUBO CALDAIA - SENSORE DI PRESSIONE EAGLE ONE	
98031260	SPIRAL TUBE FOR T.E.R.S	TUBO SPIRALE PER T.E.R.S.	



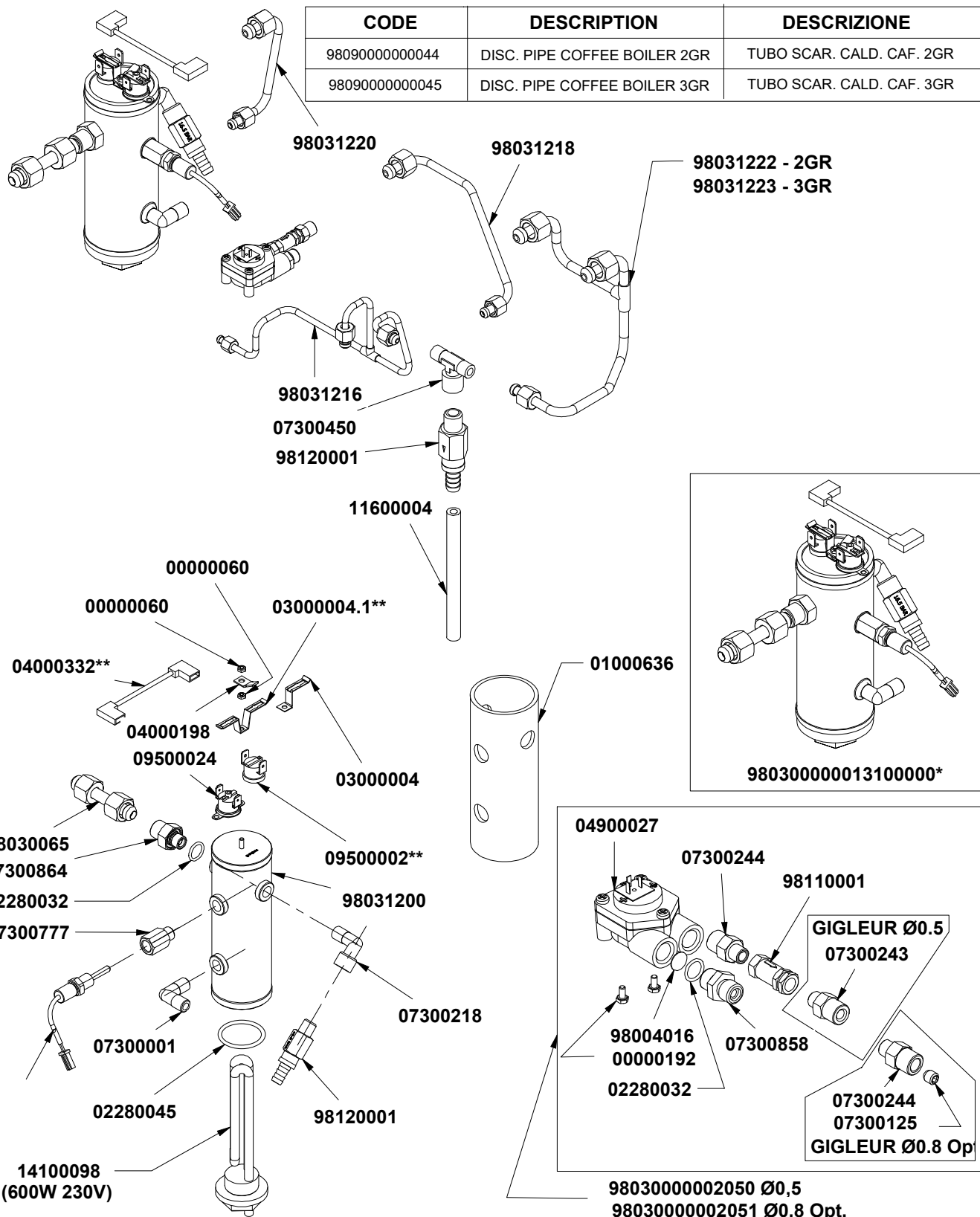
COD.	DESCRIPTION	DESCRIZIONE	VAL.
00300002	BRASS NUT 1/4 D3 CH18	DADO OT 1/4 SPESS.3 CH18 AGG. 22.07.96	
01000646	ISOLATION STEAM WANDS	ISOLANTE LANCE VAPORE	
02280036	O RING STEAM WAND NOZZ. D6x1.2 EPDM70	GUARN. OR BECCO LANCIA VAP. DI 6X1.2 EPDM70	
02280047	GASKET OR 17,86x2,62 NBR	GUARN. OR 17,86x2,62 NBR	
02600006	TEFLON GASKET FOR STEAM LANCE BALL	GUARN. OR TEFLON xSFERA LANCIA VAPORE	
04100008	3WAY SOLENOID 1/4-1/4 1/8 240V50/60hz F3 UL TH2xM5	E.V. NC 3VIE 1/4-1/4 SCAR. 1/8220V 50HZ-240V 60HZ RUBY	
04100012	2WAY SOLENOID 1/8-1/8 1/8 240V50/60hz F3 UL TH2xM5	E.V. NC 2VIE 1/4-1/4 220-230V 50/60HZ VITON F1.5 CE	
04100024	3WAY SOLENOID 1/4 REGUL 90° 230V50/60Hz F3 CE	E.V. NC 2VIE 1/4 REGOLAT. 90° 230V 50/60HZ F.3 CE	
05000660	RUBBER PROTECTION STEAMWAND D10 EAGLE ONE	GOMMINO PROTEZIONE LANCIA D.10 EAGLE ONE	
07300091	T FITTING MFM 1/4 CYLIN.	RACCORDO T 1/4 M-F-M CILIN.	
07300128.TEA	PLUG 1/4 GAS+THEATURE	TAPPO 1/4 GAS OT-57 + TEATURA	
07300466	S/S THREADED CONNECTION FOR STEAMWAND	RACCORDO FILET. INOX X LANCIA VAPORE	
07300720	L FITTING 1/4 M - FITTINGS	RACCORDO L 1/4 M - CALZAM.	
07300858	FITTING 1/4M-1/4M OT-57 USA	RACCORDO 1/4M-1/4M OT-57 USA	
07300870	FITTING 3/8 STEAM-WATER ARTICULATED WAND	RACCORDO 3/8 LANCIA SNODATA VAPORE-ACQUA	
07300872	COMPASS JOINT STEAM-WATER WAND	BUSSOLA SNODO LANCIA VAPORE-ACQUA	
07300876	STEAM-WATER WAND FIXING RING	GHIERA FISSAGGIO LANCIA VAPORE-ACQUA	
08000112	SPRING FOR ARTICULATED WAND	MOLLA PER LANCIA SNODATA	
11740001	TEFLON PIPE 6/4	TUBO TEFLON 6/4	
75006038	STEAM NOOZLE M8,65x0,75 F. 1,5 ROUNDED	BECCO VAPORE M8,65X0,75 F. 1,5 BONBATO	
75006038.1	STEAM NOOZLE M8,65X0,75 F1,2 ESAG.1,2	BECCO VAPORE M8,65X0,75 F. 1,2 ESAG.12	
75006120	COOLTOUCH STEAMWAND KIT EAGLE ONE	KIT LANCIA VAPORE FREDDA EAGLE ONE	
82007003	HOTWATER DIFFUSER D23,5 F1/8	ROMPIGETTO ACQUA CALDA D.23,5 F 1/8"	
98004001	S/S FILTER D8	FILTRO INOX DIAM. 8	
98007030	S/S HOTWATER WAND KIT EAGLE ONE W/ DIFFUSER	KIT LANCIA ACQUA C. INOX	
98031226	BOILER TUBE - HOT WATER SOLENOID EAGLE ONE	TUBO CALDAIA - EV ACQUA CALDA EAGLE ONE	
98031228	MANIFOLD HOT WATER MIXER EAGLE ONE	CROCIERA MISCELATORE ACQUA CALDA EAGLE ONE	
98031242	RIGHT EASYCREAM SOLENOID-BOILER TUBE 2GR	TUBO CALDAIA - EV EASY CREAM DX 2GR.	
98031243	RIGHT EASYCREAM SOLENOID-BOILER TUBE 3GR	TUBO CALDAIA - EV EASY CREAM DX 3GR.	
98031246	EASYCREAM SOLENOID TUBE - RIGHT WAND 2GR	TUBO EV EASY CREAM - LANCIA DX 2GR.	
98031247	EASYCREAM SOLENOID TUBE - RIGHT WAND 3GR	TUBO EV EASY CREAM - LANCIA DX 3GR.	
98031250	LEFT EASYCREAM SOLENOID -BOILER TUBE	TUBO CALDAIA - EV EASY CREAM SX	
98031252	EASYCREAM SOLENOID TUBE - LEFT WAND	TUBO EV EASY CREAM - LANCIA SX	





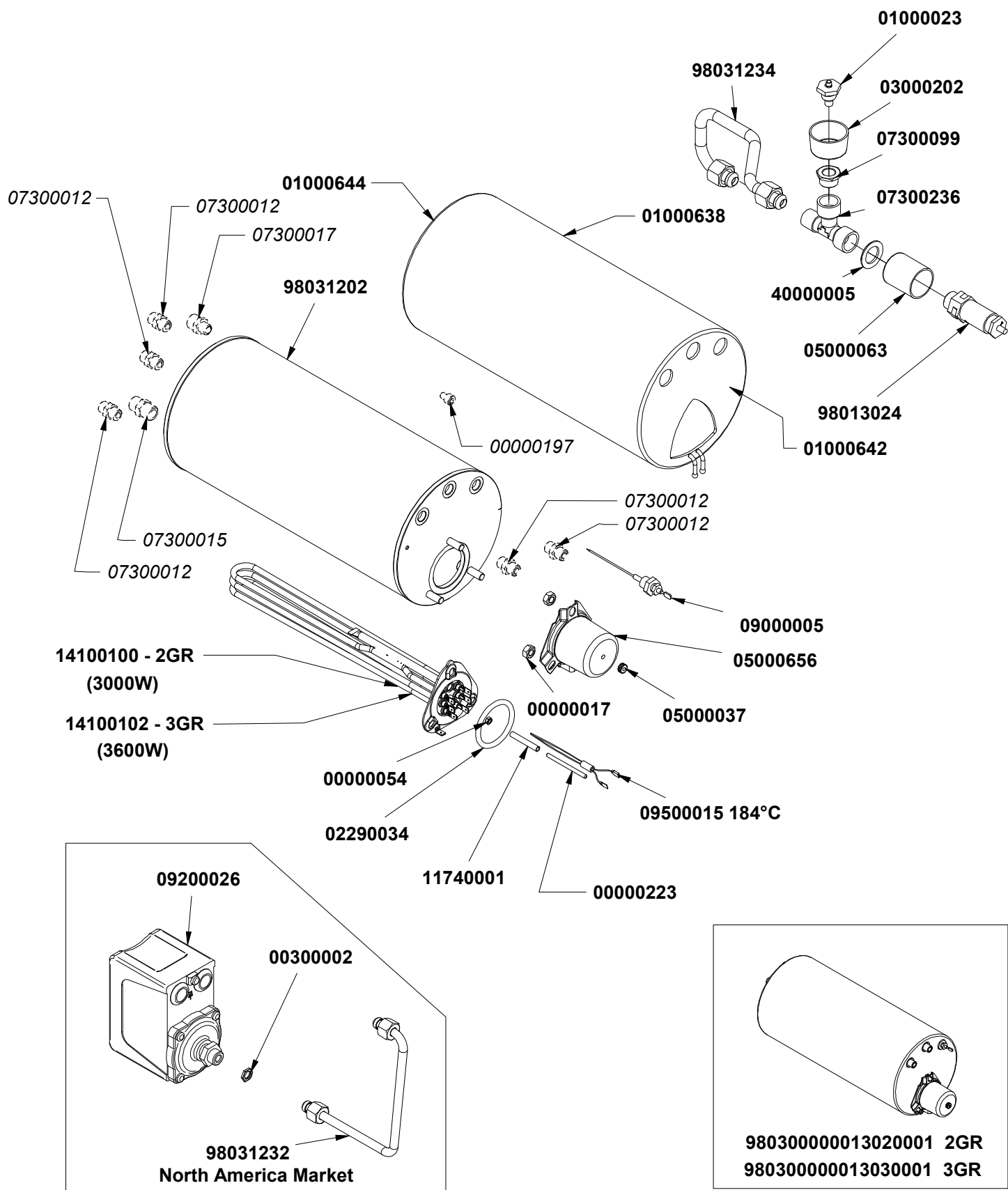
COD.	DESCRIPTION	DESCRIZIONE	VAL.
00000089	S/S CROSSHEAD CAP SCREW M4x12 DIN7985	VITE INOX M4X12 TC TCR DIN7985	
00000124	GALV WASHER D4 3x16x1.5	RONDELLA AQ D4.3X16X1.5 ZINC.	
00000166	S/S SCREW M3x20 TCEI ISO 4762	VITE INOX M3X20 TCEI ISO 4762	
01000108	TAP MRF 1/8 FF 604	RUBINETTO MRF 1/8 F-F 604	
R01000108	KIT-TAP MRF 1/8 FF - 1Pcs	KIT-RUBINETTO MRF 1/8 F-F - 1Pz	
01000646	ISOLATION STEAM WANDS	ISOLANTE LANCE VAPORE	
02280036	O RING STEAM WAND NOZZ. D6x1.2 EPDM70	GUARN. OR BECCO LANCIA VAP. DI 6X1.2 EPDM70	
R02280036	KIT-O RING FOR STEAM WAND NOZZLE D6x1.2 EPDM - 65	KIT-GUARN. OR x BECCO LANCIA VAP. D. 6x1.2 EPDM- 65F	
02280047	GASKET OR 17,86x2,62 NBR	GUARN. OR 17,86x2,62 NBR	
02600006	TEFLON GASKET FOR STEAM LANCE BALL	GUARN. OR TEFLON xSFERA LANCIA VAPORE	
11740001	TEFLON PIPE 6/4	TUBO TEFLON 6/4	
04100042	2WAY SOLENOID 1/8-1/8 220-230V50/60Hz F2 CE	E.V. NC 2VIE 1/8-1/8 220-230V 50/60HZ VITON F2 CE	
R04100042	KIT-2WAY SOLENOID 1/8-1/8 220-230V50/60Hz F2 CE - 1Pc	KIT-E.V. NC 2VIE 1/8-1/8 220-230V 50/60Hz VITON F2- 1Pz	
04600020	MICROCOMPRESSOR EASYCREAM	MICROCOMPRESSORE X EASY CREAM	
04901530	PT1000 PROBE STEAM WAND EAGLE ONE + 2 SUPP.	SONDA PT1000 X LANCIA VAPORE EAGLE ONE +2 SUPP.	
05000015	TUBE FASTENING WES 6R 1/8	RACCORDO PORTATUBO WES 6R 1/8	
05000660	RUBBER PROTECTION STEAMWAND D10 EAGLE ONE	GOMMINO PROTEZIONE LANCIA D.10 EAGLE ONE	
05000762	MALE STRAIGHT TUBE HOLDER JUNCTION GES 6 1/8	RACCORDO PORTATUBO GES 6 1/8 MASCHIO DIRITTO	
R05000762	KIT-MALE STRAIGHT TUBE HOLDER JUNCTION GES 6 1/8	KIT-RACCORDO PORTATUBO GES 6 1/8 MASCHIO DIRITTO	
07300364	STRAIGHT FITTING 1/8 M CON. - FITTING.6 340	RACCORDO DIR. 1/8 M CON. - CALZAM.6 340	
R07300364	KIT-STRAIGHT FITTING 1/8 M CON. - FITTING.6 340 - 8Pcs	KIT-RACCORDO DIR. 1/8 M CON. - CALZAM.6 - 8Pz	
07300671	EASYCREAM NOZZLE 4HOLES TALENTO - AURELIA II	BECCO EASYCREAM 4 FORI TALENTO / AURELIA II	
07300870	FITTING 3/8 STEAM-WATER ARTICULATED WAND	RACCORDO 3/8 LANCIA SNODATA VAPORE-ACQUA	
07300872	COMPASS JOINT STEAM-WATER WAND	BUSSOLA SNODO LANCIA VAPORE-ACQUA	
07300878	EC WAND FIXING RING	GHIERA FISSAGGIO LANCIA VAPORE "EASY CREAM"	
11600001.W	WHITE SILICONE PIPE 4x7,5 60Sh(1mt=41gr)	TUBO SILICONE BIANCO4X7,5 60SH(1MT=41GR)	
11740003	CALIBRATED TEFLON PIPE 6/4	TUBO TEFLON 6/4 CALIBRATO	
75006122	EASY CREAM STEAM WAND KIT	KIT LANCIA VAPORE "EASY CREAM"	
980600000005080001	SUPPORT + SOLENOID EASYCREAM SET EAGLE ONE	ASS. SUPPORTO+ E.V. EASY CREAM EAGLE ONE	
98060000000510	ASSEMBLY JOINT + EC WAND WITH RIGHT PROBE	ASS. ATTACCO + LANCIA EASY CREAM CON SONDA DX	
98060000000512	ASSEMBLY JOINT + EC WAND WITH LEFT PROBE	ASS. ATTACCO + LANCIA EASY CREAM CON SONDA SX	

CODE	DESCRIPTION	DESCRIZIONE
98090000000044	DISC. PIPE COFFEE BOILER 2GR	TUBO SCAR. CALD. CAF. 2GR
98090000000045	DISC. PIPE COFFEE BOILER 3GR	TUBO SCAR. CALD. CAF. 3GR

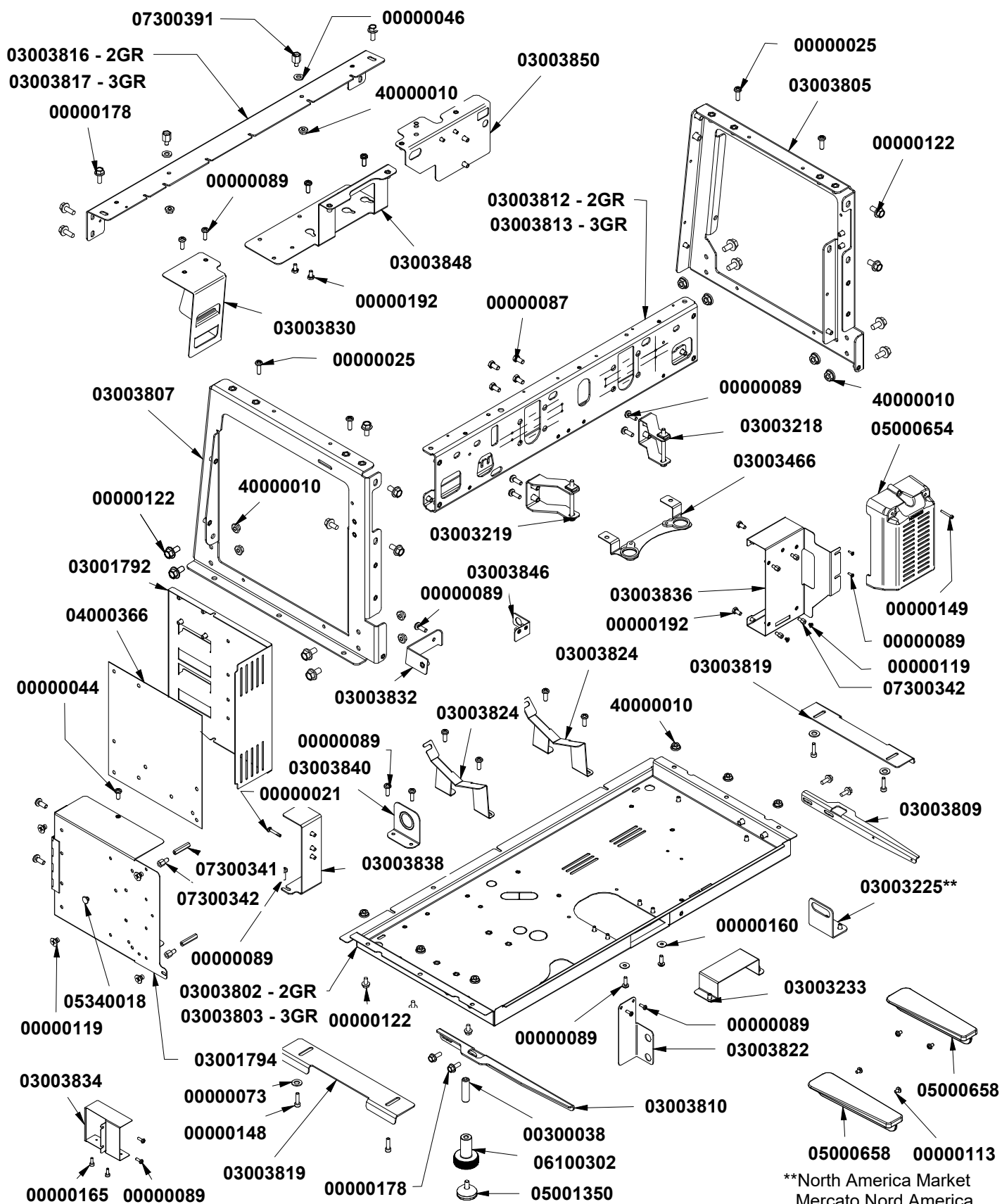


\* Specify version      \*\* North America Market  
Specificare versione      Mercato Nord America

COD.	DESCRIPTION	DESCRIZIONE	VAL.
00000060	GALV MEDIUM NUT AQ M3	DADO AQ M3 MEDIO ZINCATO	
00000192	S/S SCREW M4x8 TE UNI 5739	VITE INOX M4X8 TE UNI 5739	
01000636	COFFEE BOILER INSULATION	ISOLANTE CALDAIA CAFFE'	
02280032	GASKET O RING 114 D15 EP 851	GUARN. OR 114 D.15 EP 851	
R02280032	KIT-GASKET O RING 114 D15 EP - 25Pcs	KIT-GUARN. OR 114 D.15 EP - 25Pz	
02280045	GASKET O RING 29,82x2,62 EPDM	GUARN. OR 29,82X2,62 EPDM	
03000004	SINGLE BRACKET FOR THERMOSTAT	STAFFA SINGOLA X TERMOSTATO	
03000004.1	DOUBLE BRACKET FOR THERMOSTAT	STAFFA DOPPIA X TERMOSTATO	
04000198	FOIL HOLDER M 6.3 D 4.2 45°	PRESA LAMELLARE M 6.3 D4.2 45°	
04000332	EXT L=85 + FASTON F-F A FLAG AWG18	CAVALLOTTO L=85 + FASTON F-F A BANDIERA	
04900027	BRASS FLOWMETER 1/4-1/4GAS -ATT. HEAD 2,8x0,5	DOSATORE VOLUMETRICO OTT. 1/4-1/4GAS -ATT. TEST. 2	
R04900027	KIT-BRASS FLOWMETER 1/4-1/4GAS -ATT. HEAD 2,8x0,5 -	KIT-DOSATORE VOLUMETRICO OTT. 1/4-1/4GAS - 1Pz	
07300001	L FITTING 1/8 M-M 459	RACCORDO L 1/8 M-M 459	
07300125	GIGLEUR M8x8 F.0,8 OT-57 +TEA	GIGLER M8X8 F.0,8 OT-57 +TEA	
R07300125	KIT-GIGLEUR M8x8 F.0,8 +TEA - 15Pcs	KIT-GIGLER M8x8 F.0,8 - 15Pz	
07300218	FITTING L 1/8 M-F 458	RACCORDO L 1/8 M-F 458	
07300243	FITTING 1/4M 1/8M GIGLER F.0,5	RACCORDO 1/4M 1/8M GIGLER F.0,5 AISI303	
07300244	FITTING 1/4M 1/8M + THREADED M8 Aisi303	RACCORDO 1/4M 1/8M + FILETT.M8 AISI303	
07300450	FITTING T 1/8 M-F-M OT-57	RACCORDO T 1/8 M-F-M OT-57	
07300777	S/S EXTENSION 1/8M 1/8F	PROLUNGA 1/8M 1/8F INOX	
07300858	FITTING 1/4M-1/4M OT-57 USA	RACCORDO 1/4M-1/4M OT-57 USA	
R07300858	KIT-FITTING 1/4M-1/4M - 15Pcs	KIT-RACCORDO 1/4M-1/4M - 15Pz	
07300864	FITTING 1/4M 1/8M + THREADED M6 Aisi316 +	RACCORDO 1/4M 1/8M + FILETT.M6 AISI316 + SEDE OR	
09500002	AUTOMATIC THERMOSTAT 125°C WHITE DRIPPING	TERMOSTATO RIARMO AUTO. 125°C	
09500024	MANUAL THERMOSTAT 135°C TRIP FREE GREEN DRIP.	TERMOSTATO R.MAN. 135°C TRIP FREE	
11600004	SILICONE PIPE 5x9 60Sh PEROX	TUBO SILICONE 5X9 60SH PEROX BIANCO (1MT=50GR)	
14100098	HEATING ELEMENT 3/4 600W 230V INCOLOY800	RESISTENZA 3/4 600W 230V INCOLOY800	
98004016	S/S FILTER D12	FILTRO INOX DIAM. 12	
R98004016	KIT-S/S FILTER D12 - 25Pcs	KIT-FILTRO INOX DIAM. 12 - 25Pz	
980300000013100001	COFFEE BOILER SET CE	ASS. CALDAIA CAFFE' CE	
980300000013100002	COFFEE BOILER SET CSA	ASS. CALDAIA CAFFE' CSA	
98030000002050	FLOWMETER T3 EXTERNAL GIGLER 0,5 SET	ASSIEME DOSATORE T3 "GIGLER ESTERNO" GIGLER 0,5	
98030000002051	FLOWMETER T3 EXTERNAL GIGLER 0,8 SET	ASSIEME DOSATORE T3 "GIGLER ESTERNO" GIGLER 0,8	
98030065	TUBE D8 1/4 1/4 L=59,5	TUBO D.8 1/4 1/4 L=59.5	
98031200	S/S WELDED COFFEE BOILER D42,5	CALDAIA SALD. ACCIAIO INOX D.42,5 CAFFE'	
98031216	MANIFOLD TUBE CONN FLOWMETER+VALVE MIXER	TUBO CROCIERA - COLL. DOSATORI+ EV MISC.	
98031218	RIGHT FLOWMETER - BOILER TUBE EAGLE ONE	TUBO DX DOSATORE - CALDAIA EAGLE ONE	
98031220	LEFT FLOWMETER - BOILER TUBE EAGLE ONE	TUBO SX DOSATORE - CALDAIA EAGLE ONE	
98031222	CONNECTION MANIFOLD FLOWMETER EAGLE ONE 2GR	CROCIERA COLLEGAMENTO DOSATORI EAGLE ONE 2GR	
98031223	CONNECTION MANIFOLD FLOWMETER EAGLE ONE 3GR	CROCIERA COLLEGAMENTO DOSATORI EAGLE ONE 3GR	
980900000000044	COFFEE BOILER DISCHARGE TUBE SET 2GR	ASSIEME TUBI SCARICO CALDAIE CAFFE' 2GR.	
980900000000045	COFFEE BOILER DISCHARGE TUBE SET 3GR	ASSIEME TUBI SCARICO CALDAIE CAFFE' 3GR	
98110001	RETURN VALVE 1/8 F-FOT-58	VALVOLA RITEGNO COMPL. 1/8 F-FOT-58	
R98110001	KIT-RETURN VALVE 1/8 F-F - 3Pcs	KIT-VALVOLA RITEGNO COMPL. 1/8 F-F - 3Pz	
98120001	NEPLAX VITON 16,5 BAR VALVE 1/8 HOSE CLAMP	VALVOLA NEPLAX VITON 16,5 BAR 1/8 - PORTAGOMMA	
R98120001	KIT-NEPLAX VITON 16,5 BAR VALVE 1/8 HOSE CLAMP - 2P	KIT-VALVOLA NEPLAX VITON 16,5 BAR 1/8 - PORTAGOMM	



COD.	DESCRIPTION	DESCRIZIONE	VAL.
0000017	GALV BOLT AQ M6 HIGH h6 5587	DADO AQ M6 ALTO ZINC. H6 5587	
0000054	GALV HIGH NUT M4	DADO AQ M4 ALTO ZINCATO	
00000197	S/S HEX SOCKET CAP SCREW M6x8 ISO 4762	VITE INOX M6X8 TCEI ISO 4762	23/06/2020
00000223	BRASS PRISONER M4x75	PRIGIONIERO OT M4X75	
00300002	BRASS NUT 1/4 D3 CH18	DADO OT 1/4 SPESS.3 CH18 AGG. 22.07.96	
R00300002	KIT-BRASS NUT 1/4 D3 - 15Pcs	KIT-DADO OT 1/4 SPESS.3 - 15Pz	
01000023	ANTI VACUUM VALVE	VALVOLINA SFIATO	
R01000023	KIT-ANTI VACUUM VALVE - 3Pcs	KIT-VALVOLINA SFIATO - 3Pz	
01000638	STEAM BOILER INSULATION	ISOLANTE CALDAIA VAPORE	
01000642	INSULATOR D160 RIGHT STEAM BOILER ZOTECH	ISOLANTE D.160 DX CALDAIA VAPORE ZOTECH	
01000644	INSULATOR D160 LEFT STEAM BOILER ZOTECH	ISOLANTE D.160 SX CALDAIA VAPORE ZOTECH	
02290034	GASKET O RING 6187 D47x5,34 VITON FDA	GUARN. OR 6187 D.47X5,34 VITON FDA	
03000202	CONDENSATION TRAY MASTER	VASCHETTA RACCOGLI CONDENSA AGG. 07.06.97	
R03000202	KIT-CONDENSATION TRAY - 2Pcs	KIT-VASCHETTA RACCOGLI CONDENSA - 2Pz	
980300000013020000	BOILER SET EAGLE ONE 2GR	ASS. CALDAIA EAGLE ONE 2GR.	
980300000013030000	BOILER SET EAGLE ONE 3GR	ASS. CALDAIA EAGLE ONE 3GR.	
05000037	THREADED RING NUT FOR PANELS M4 X0,7	GHIERA FILETTATA PER PANNELLI M4X0,7	
05000063	SAFETY VALVE COVER PA6	COPRI VALVOLA SICUREZZA PA6	
R05000063	KIT-SAFETY VALVE COVER PA6 - 8Pcs	KIT-COPRI VALVOLA SICUREZZA PA6 - 8Pz	
05000656	CYLINDRICAL RESISTANCE COVER EAGLE ONE	COPRI RESISTENZA CILINDRICO EAGLE ONE	
07300012	FITTING 1/4 1/4M-1/4M Aisi316	RACCORDO 1/4M-1/4M AISI316	23/06/2020
07300015	FITTING 3/8 3/8 GAS OT-58 ADD. 26.06.96	RACCORDO 3/8 3/8 GAS OT-58	23/06/2020
07300017	FITTING 1/4M 3/8M GAS OT-57 USA	RACCORDO 1/4M 3/8M GAS OT-57 USA	23/06/2020
07300099	FITTING ADAPTER 3/8-1/4 ES. 20 ADD. 29.05.96	RIDUZIONE 3/8-1/4 ES.20 AGG. 29.05.96	
07300236	T FITTING 3/8 M-F-F 466	RACCORDO A T 3/8 M-F-F	
R07300236	KIT-T FITTING 3/8 M-F-F - 3Pcs	KIT-RACCORDO A T 3/8 M-F-F - 3Pz	
09000005	COMPLETE AUTOLEVEL PROBE L=130	SONDA AUTOLIVELLO COMP. L=130	
R09000005	KIT-COMPLETE AUTOLEVEL PROBE L=130 - 1Pcs	KIT-SONDA AUTOLIVELLO COMP. L=130 - 1Pz	
09200026	PRESSURE GAUGE 0,9-2,5 BAR P302/6	PRESSOSTATO 0,9-2,5 BAR P302/6	
09500015	HEATING ELEMENT THERMAL PROT. G5 184°C 16A	TERMOPROTETTORE X RES. G5 184C 16A 250V UL	
R09500015	KIT-HEATING ELEMENT THERMAL PROTECTION G5 184°C	KIT-TERMOPROTETTORE x RESISTENZA G5 184C 16A 250V	
11740001	TEFLON PIPE 6/4	TUBO TEFLON 6/4	
14100100	S/S FLANGE HEATING ELEMENT 3000W 230V	RESISTENZA FLANGIA INOX 3000W 230V	
14100102	S/S FLANGE HEATING ELEMENT 3600W 230V	RESISTENZA FLANGIA INOX 3600W 230V	
40000005	BRASS WASHER 27x17x2 ROUGH	RONDELLA OT 27X17X2 GREZZA	
98013024	SAFETY VLVE C10 3BAR 3/8 VITON 97/23/CE	VALV. SICUREZZA C10 3 BAR 3/8" VITON 97/23/CE	
980300000013020001	BOILER SET EAGLE ONE 2GR	ASS. CALDAIA EAGLE ONE 2GR.	
980300000013030001	BOILER SET EAGLE ONE 3GR	ASS. CALDAIA EAGLE ONE 3GR.	
98031202	S/S WELDED STEAM BOILER D160 8LT	CALDAIA SALD. ACCIAIO INOX D.160 8LT VAPORE	
98031232	BOILER TUBE - PRESSURE GAUGE CSA	TUBO CALDAIA - PRESSOSTATO CSA	
98031234	SAFETY VALVE TUBE EAGLE ONE	TUBO VALVOLA SICUREZZA EAGLE ONE	



\*\*North America Market  
Mercato Nord America

COD.	DESCRIPTION	DESCRIZIONE	VAL.
00000021	GALV CROSS HEAD CAP SCREW M4x25	VITE AQ M4X25 TC T.CR. ZINC. TAPT AUTOFORMANTE	
00000025	GALV CROSS HEAD CAP SCREW AQ M6x20	VITE AQ M6X20 TC T.CR. ZINC	
00000044	GALV CROSS HEAD/CAP SCREW M4x10	VITE AQ M4X10 TC T.CR. ZINC	
00000046	GALV WASHER M6 6,4X12,5X1,6	RONDELLA AQ M6 6,4X12,5X1,6 Z.	
00000073	S/S WASHER D.8x4x1 UNI6592	RONDELLA INOX 8X4X1 UNI6592	
00000087	S/S HEX HEAD SCREW M10X20 UNI5739	VITE INOX M10X20 TE UNI 5739	
00000089	S/S CROSSHEAD CAP SCREW M4x12 DIN7985	VITE INOX M4X12 TC TCR DIN7985	
00000113	S/S CROS SHEAD CAP SCREW M4x6 7985	VITE INOX M4X6 TC T.CR. 7985	
00000119	SS CROSS HEAD COUNTERSUNK SCREW M4x6 ISO 7046	VITE INOX M4X6 TSPTCR ISO 7046	
00000122	WHITE GALV FLANGED KNURLED HEX CAP SCREW 8.8 M	VITE AQ 8.8 M6X12 TE FLANG. ZIGR. ZINC. BIANCO	
00000148	S/S HEXAGON SOCKET HEAD SCREW M4x16 UNI 5931	VITE INOX M4X16 TCEI UNI 5931	
00000149	S/S HEXAGON SOCKET HEAD SCREW M4x30 UNI 5931	VITE INOX M4X30 TCEI UNI 5931	
00000160	S/S WASHER D4X12 UNI 6593	RONDELLA INOX D4X12X1 UNI 6593	
00000165	S/S SCREW M3x8 TCEI ISO 4762	VITE INOX M3X8 TCEI ISO 4762	
00000178	GALV FLANGED KNURLED HEX CAP SCREW 8.8 M6x16	VITE AQ 8.8 M6X16 TE FLANG. ZIGR. ZINC. BIANCO	
00000192	S/S SCREW M4x8 TE UNI 5739	VITE INOX M4X8 TE UNI 5739	
00300038	S/S FH GRUB SCREW M10x35	GRANO INOX M10X35 PUNTA PIANA	
03001792	CONTROL BOARD COVER AURELIA	CHIUSURA CENTRALINA AURELIA	
03001794	CONTROL BOARD CASE AURELIA	CONTENITORE CENTRALINA AURELIA	
03003218	RIGHT SUPPORT COVER GROUP VA388	LAMIERA DX SUPP. COPRIGRUPPO VA388	
03003219	LEFT SUPPORT COVER GROUP VA388	LAMIERA SX SUPP. COPRIGRUPPO VA388	
03003225	SAFETY PRESSOSTAT SUPPORT VA388	LAMIERA SUPP. PRESSOSTATO MECCANICO VA388	
03003233	PROTECTION SHEET CHARGE PIPE	LAMIERA PROTEZIONE TUBO CARICO	
03003466	SUPPORT SHEET LED ON POURING GROUP	LAMIERA SUPPORTO LED SU GRUPPO EROGAZIONE	
03003802	SUPPORTING BASE 2GR	BASAMENTO PORTANTE 2GR	
03003803	SUPPORTING BASE 3GR	BASAMENTO PORTANTE 3GR	
03003805	RIGHT SIDE FRAME	FIANCO TELAIO DX	
03003807	LEFT SIDE FRAME	FIANCO TELAIO SX	
03003809	RIGHT PLATE GUIDE SHEET	LAMIERA GUIDA PIATTO DX	
03003810	LEFT PLATE GUIDE SHEET	LAMIERA GUIDA PIATTO SX	
03003812	GROUP WALL 2GR	PARETE PORTAGRUPPI 2GR	
03003813	GROUP WALL 3GR	PARETE PORTAGRUPPI 3GR	
03003816	SUPER. SHEET REAR 2G	LAMIERA SUPER. POSTERIORE 2G	
03003817	SUPER. SHEET REAR 3G	LAMIERA SUPER. POSTERIORE 3GR	
03003819	BOTTOM SHEET SIDE SUPPORT	LAMIERA INF. SUPPORTO FIANCO CARENA	
03003822	SUPPORT SHAFT PRESSURE TRANSDUCER	STAFFA SUPP. TRASDUTTORI DI PRESSIONE	
03003824	SUPPORT BOILER	SUPPORTO CALDAIA	
03003830	REMOTE SWITCH SUPPORT	SUPPORTO TELERUTTORE	
03003832	BRACKET SUPP. CENTRAL BOX	STAFFA SUPP. SCATOLA CENTRAL.	
03003834	SUPPORT TRANSFORMER	SUPPORTO TRASFORMATORE	
03003836	SINGLE BOILER CONTROL UNIT SUP. + STEAM RELAY	SUPP. CENTR. UNICA CALDAIE+RELE' VAPORE	
03003838	TERMINAL BOARD SUPPORT BRACKET	STAFFA SUPP. MORSETTIERA	
03003840	CABLE GLAND SUPPORT BRACKET	STAFFA SUPP. PRESSACAVO	
03003846	HYDRAULIC CROSSPIECE SUPPORT BRACKET	STAFFA SUPP. CROCIERA IDRAUL.	
03003848	SUPPORT DOSER	SUPPORTO DOSATORI	
03003850	SUPPORT COMPRESSOR	SUPPORTO COMPRESSORE	



2-3 GR.

2-3 GR.

COMPONENTI TELAIO

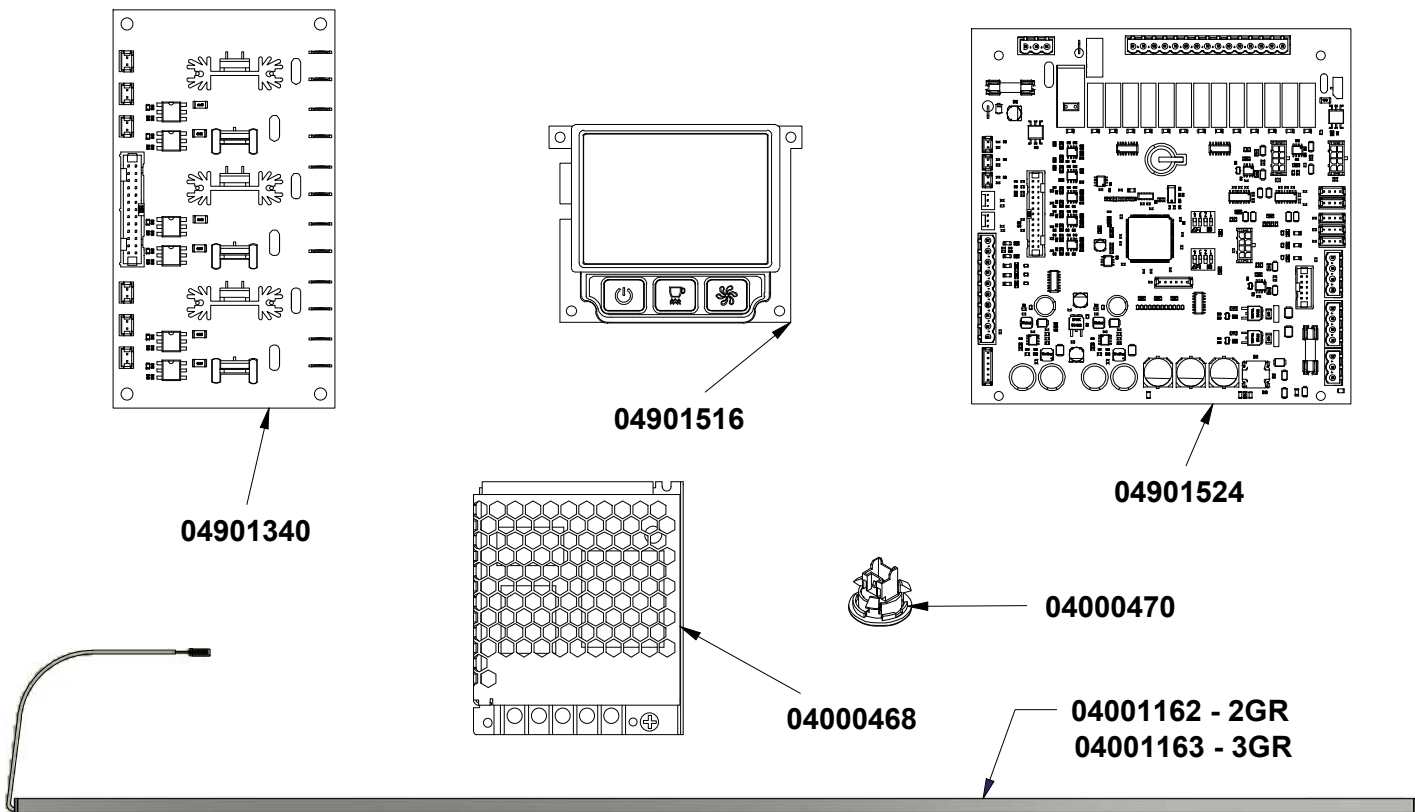
FRAME PARTS

COD.	DESCRIPTION	DESCRIZIONE	VAL.
04000366	PVC SWITCHBOARD PROTECTION AURELIA	PROTEZIONE CENTRALINA AURELIA	
05000654	BOILER CONTROL UNIT CLOSING	CHIUSURA CENTRALINA CALDAIE	
05000658	FLAT WATER DRIP TRAY EAGLE ONE	APPOGGIO PIATTO RACCOGLIACQUA EAGLE ONE	
05001350	MACHINE FOOT D40 H18 M8 MALE	PIEDE MACCHINA D.40 H=18+GOMM.	
05340018	WHITE NYLON CAP 10.3x6.1 HOLE D5.5	TAPPO BIANCO POLIETILENE D. FORO 5,5 5X10	
06100302	MACHINE FOOT EAGLE ONE POLISHED	PIEDE MACCHINA EAGLE ONE POLISHED	
07300341	CENTRAL LOCK VIP S/S NICKEL PLATE L=35	PERNO BLOCC. CENTRAL. VIP INOXNICHELATO L=35	
07300342	NICKEL PLATED CONTROL UNIT SUPPORT PIN	PERNO SUPPORTO CENTRAL. VIP NICHELATO	
07300391	EXTENSION CUP WARMER FASTENING	PROLUNGA FISSAGGIO SCALDATAZZE	
40000010	NUT M6 W/ WELDED GALV WASHER	DADO AQ M6 RONDELLA SALDATA ZINCATO	



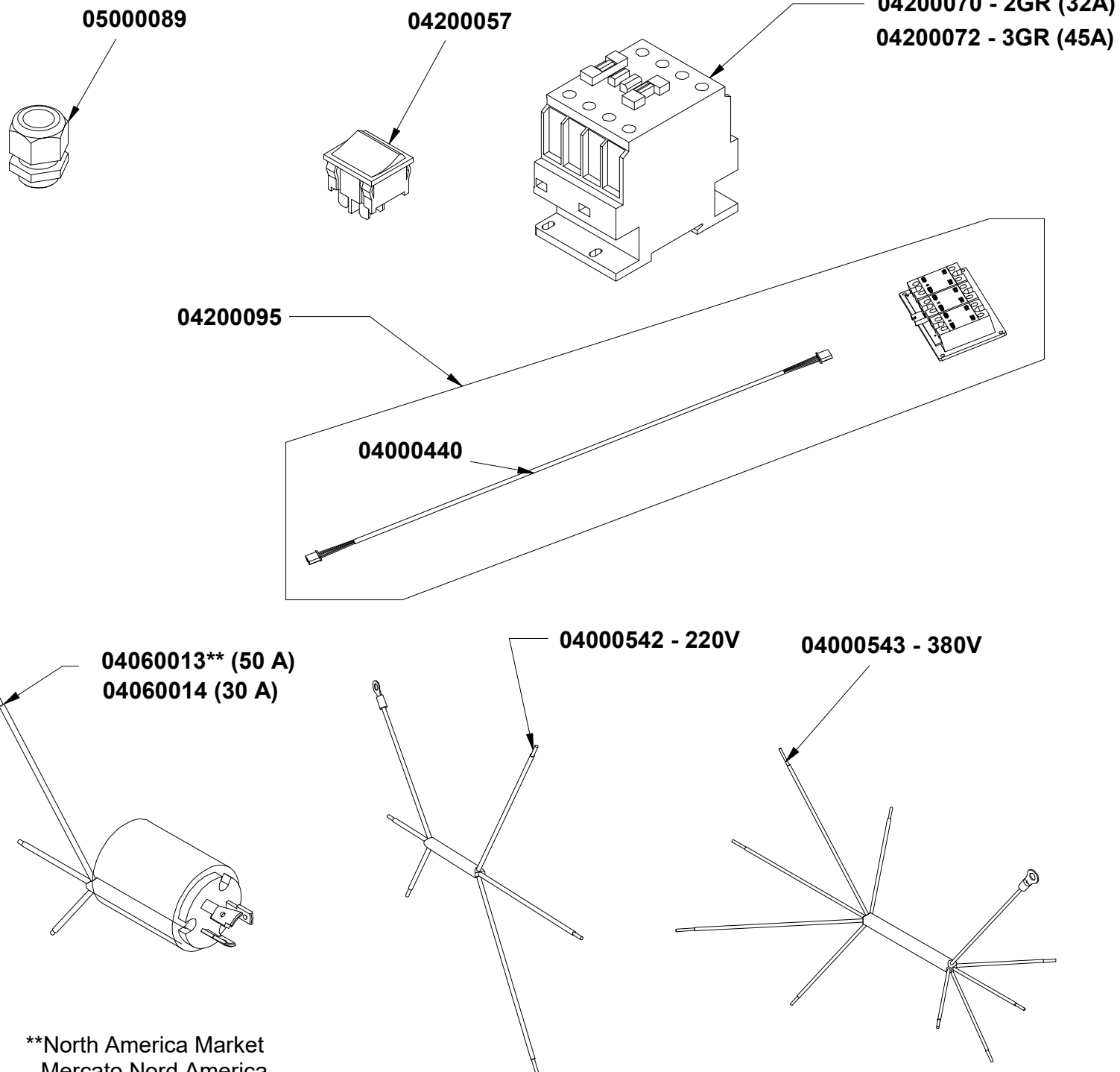
INSPIRED BY YOUR PASSION.





CODE	DESCRIPTION	DESCRIZIONE
04000432	CABLE 20 WAYS BOARD-PROBE BOARD	CAVO 20 VIE CENTR.-CENTRALINA SONC
04001143	CABLE 10 WAYS PUSHBUTTON 2-3 GR	CAVO 10 VIE PULSANTIERE 2-3 GR
04000440	WIRING FOR RELAY STEAM BOILER	CABLAGGIO PER RELE CALDAIA VAPORE
04000893	EXTENSION OF TEMP. PROBE 600 mm	PROLUNGA SONDA DI TEMPERATURA 600mm
04901296	EXTENSION FILTERHOLDER PRES. 600mm	PROLUNGA PRESENZA PORTAFILTRO 600mm
04001136	WIRING FLOWMETER 2 GR	CABLAGGIO DOSATORI 2 GR
04001137	WIRING FLOWMETER 3 GR	CABLAGGIO DOSATORI 3 GR
04001139	CONTROL UNIT POWER CABLE	CAVO ALIMENTAZIONE CENTRALINA
04001145	WIRING EASYCREAM 2 GR	CABLAGGIO EASYCREAM 2 GR
04001146	WIRING EASYCREAM 3 GR	CABLAGGIO EASYCREAM 3 GR
04000244	PRESSURE TRANSDUCER CONN. CABLES	CAVI COLL. TRASDUTTORE PRESSIONE
04001148	CABLE CONN.HOT WATER-STEAM LEVER	CAVO COLL-LEVA ACQUA CALDA-VAPORE
04001140	CABLE CONN. BOARD-DISPLAY	CAVO COLL. CENTRALINA-DISPLAY
04001165	WIRING LIGHTS 2 GR	CABLAGGIO LUCI 2 GR
04001166	WIRING LIGHTS 3 GR	CABLAGGIO LUCI 3 GR

COD.	DESCRIPTION	DESCRIZIONE	VAL.
04000244	3POLE CONN CABLE RAST 2.5/MOLEX L = 800mm	CAVO COLL.3P RAST 2,5/MOLEX L.800MM	
04000432	FLAT CABLE 26WAY CNTRL BOARD - PID BOARD TFT	CAVO 26 VIE COLL. CENTR-CENTR CALDAIE	
R04000432	KIT-FLAT CABLE 26WAY CNTRL BOARD - PID BOARD TFT	KIT-CAVO 26 VIE COLL. CENTR-CENTR CALDAIE "DISPLA)	
04000440	WIRING FOR BOILER SOLID STATE RELAY L=1900	CABLAGGIO COLLEG. RELE' CALDAIA L=1900	
R04000440	KIT-WIRING FOR BOILER SOLID STATE RELAY L=1900 - 1F	KIT-CABLAGGIO COLLEG. RELE' CALDAIA L=1900 - 1Pz	
04000468	TRANSFORMER 24VDC 50W OPTIONAL	TRASFORMATORE 24V 50W OPTIONALS	
R04000468	KIT-TRANSFORMER 24VDC 50W Opt. - 1Pcs	KIT-CAVO ALIMENT. 3x1,5 SPINA UK 2mt - 1Pz	
04000470	12VDC LED SPOT AURELIA WAVE	LED AURELIA18 12V	
04000893	EXTEN CABLE L=600 2WAY CONN AMP	CAVO PROLUNGA L=600 CONNETTORI 2VIE	
04001136	EXTRA WIRING FOR DISPENSING UNIT 2GR EAGLE ONE	SUPPL. CABLAGGIO DOSATORI EAGLE ONE 2GR.	
04001137	EXTRA WIRING FOR DISPENSING UNIT 3GR EAGLE ONE	SUPPL. CABLAGGIO DOSATORI EAGLE ONE 3GR.	
04001139	POWER SUPPLY WIRING CENTRAL BOARD EAGLE ONE	CABLAGGIO ALIMENTAZIONE CENTR. EAGLE ONE	
04001140	CONN CABLE DISPLAY-CENTRAL BOARD EAGLE ONE	CAVO COLL. DISPLAY-CENTRALINA EAGLE ONE	
04001143	10WAY CABLE KEYBOARD 2-3GR EAGLE ONE	CAVO 10 VIE PULSANTIERE EAGLE ONE 2-3GR.	
04001145	SUPPL. WIRING WASY CREAM 2GR.	SUPPL. CABLAGGIO EASY CREAM 2GR.	
04001146	SUPPL. WIRING WASY CREAM 3GR.	SUPPL. CABLAGGIO EASY CREAM 3GR.	
04001148	CONN CABLE DISPENSING BOARD-TAP BOARD	CAVO COLL. SCHEDA EROGAZIONE -SCHEDA RUBINETTI	
04001162	LED STRIP 2GR EAGLE ONE	STRIP LED EAGLE ONE 2GR.	
04001163	LED STRIP 3GR EAGLE ONE	STRIP LED EAGLE ONE 3GR.	
04001165	LIGHTS WIRING 2GR.	CABLAGGIO LUCI 2GR.	
04001166	LIGHTS WIRING 3GR.	CABLAGGIO LUCI 3GR.	
04901296	EXT CABLE INDUCTIVE SENSOR PORTAFILTER	PROL. SENSORE INDUTT. "PRESENZA PORTAFILTRO"	
04901340	CENTRAL BOARD T3 MACHINE CONTROL	CENTR. CONTROLLO MACCHINE T3	
04901516	3KEY SERVICE KEYPAD WITH DISPLAY EAGLE ONE	SCHEDA SERVIZI 3 TASTI CON DISPLAY EAGLE ONE	
04901524	CENTRAL BOARD EAGLE ONE	CENTRALINA EAGLE ONE	



\*\*North America Market  
Mercato Nord America

CODE	DESCRIPTION	DESCRIZIONE
04001132	ELECTRICAL WIRING 2GR.	CABLAGGIO ELETTRICO 2GR.
04001133	ELECTRICAL WIRING 3GR.	CABLAGGIO ELETTRICO 3GR.
04000386	CUPWARMER WIRING 2GR.	CABLAGGIO SCALDATAZZE 2GR.
04000387	CUPWARMER WIRING 3GR.	CABLAGGIO SCALDATAZZE 3GR.

COD.	DESCRIPTION	DESCRIZIONE	VAL.
04000386	CUP WARMER CABLING 1 TEMP 2GR	CABLAGGIO SCALDATAZZE 1 TEMP. 2GR.	
04000387	CUPWARM WIRING 1 TEMP 3GR	CABLAGGIO SCALDATAZZE 1 TEMP 3GR.	
04000440	WIRING FOR BOILER SOLID STATE RELAY L=1900	CABLAGGIO COLLEG. RELE' CALDAIA L=1900	
R04000440	KIT-WIRING FOR BOILER SOLID STATE RELAY L=1900 - 1F	KIT-CABLAGGIO COLLEG. RELE' CALDAIA L=1900 - 1Pz	
04000542	ELECTRICAL CABLE 3x4 H07RN-F 2mt450/750V CB ICEL	CAVO ELETTR. 3X4 H07RN-F 2MT450/750V CB -> ICEL <-	
04000543	ELEC. CABLE 5x2,5 H07RN-F CB450/750V 2,5mt ICEL	CAVO ELETTR. 5X2,5 H07RN-F CB450/750V 2,5MT ICEL	
04001132	WIRING 2GR.	CABLAGGIO 2GR.	
04001133	WIRING 3GR.	CABLAGGIO 3GR.	
04060013	CABLE+PLUG AWG3x10 SJOOW UL/CSA 50A 250V	CAVO ALIM. AWG3X10 SJOOW 90°C UL/CSA 2MT	
04060014	CABLE+PLUG AWG3x12 SJO UL/CSA 30A 250V	CAVO ALIM. AWG3X12 SJO 90°C UL/CSA 2MT	
04200057	DBL POWER BIPOLAR BIG SWITCH 10A UL 22X19	INTERRUT. ACCENSIONE BIPOL. GRANDE 10A UL 22X19	
R04200057	KIT-DBL POWER BIPOLAR BIG SWITCH 10A UL 22X19 - 15	KIT-INTERRUT. ACCENSIONE BIPOL. GRANDE 10A UL 22x	
04200070	4POLE CONTACTOR 32 A CE/UL COIL 230V	CONTATTORE QUADRIPOLARE 32A CE/UL BOBINA 230V	
04200072	4POLE CONTACTOR 45A CE/UL COIL 230V	CONTATTORE QUADRIPOLARE 45A CE/UL BOBINA 230V	
04200095	STATIC RELAY 25A-250V 3pz ASSEMBLED + CONN CABLE	RELE' STATICO 25A -250V 3 PZ. ASSEMBLATI + CAVO COL	
05000089	CABLE DUCT TEC-S M25 WITH NUT	PRESSACAVO TEC-S M25 CON DADO	



INSPIRED BY YOUR PASSION.

Simonelli Group s.p.a.  
Via E. Betti, 1 - 62020 Belforte  
del Chienti - (MC) Italy  
Tel. +39 0733.950243 - Fax +39  
0733.850247  
e-mail: [info@victoriaarduino.com](mailto:info@victoriaarduino.com)  
com [www.victoriaarduino.com](http://www.victoriaarduino.com)